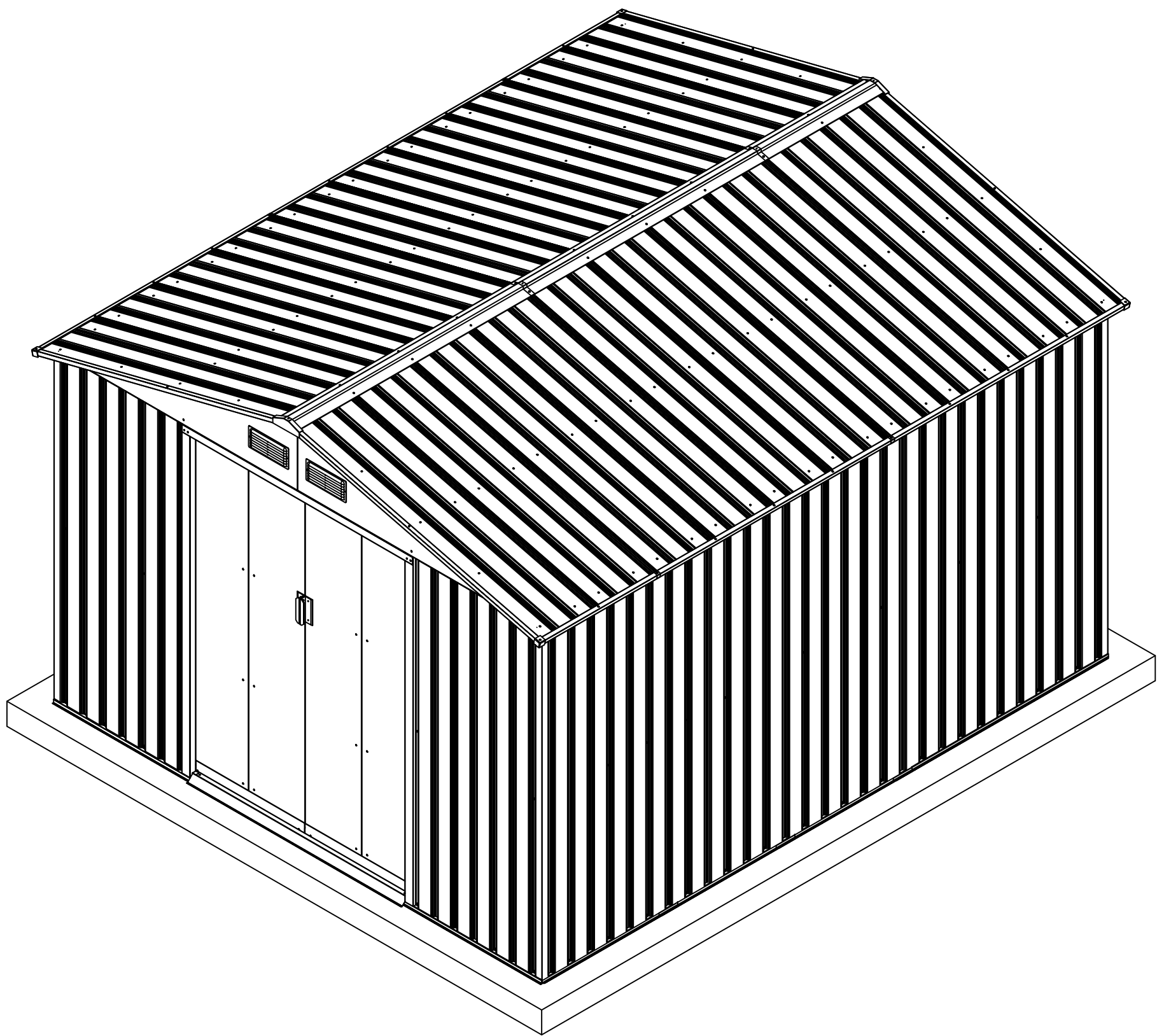


# Metal Shed

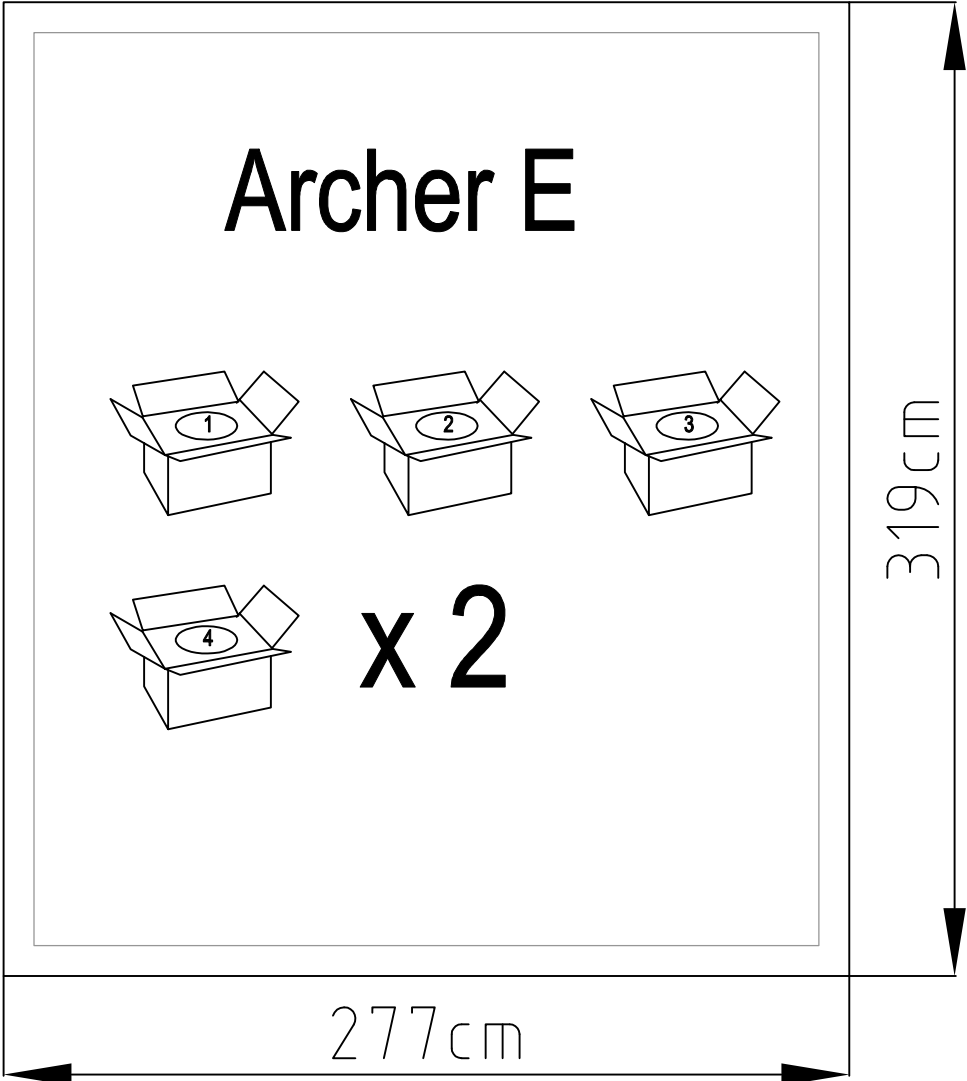
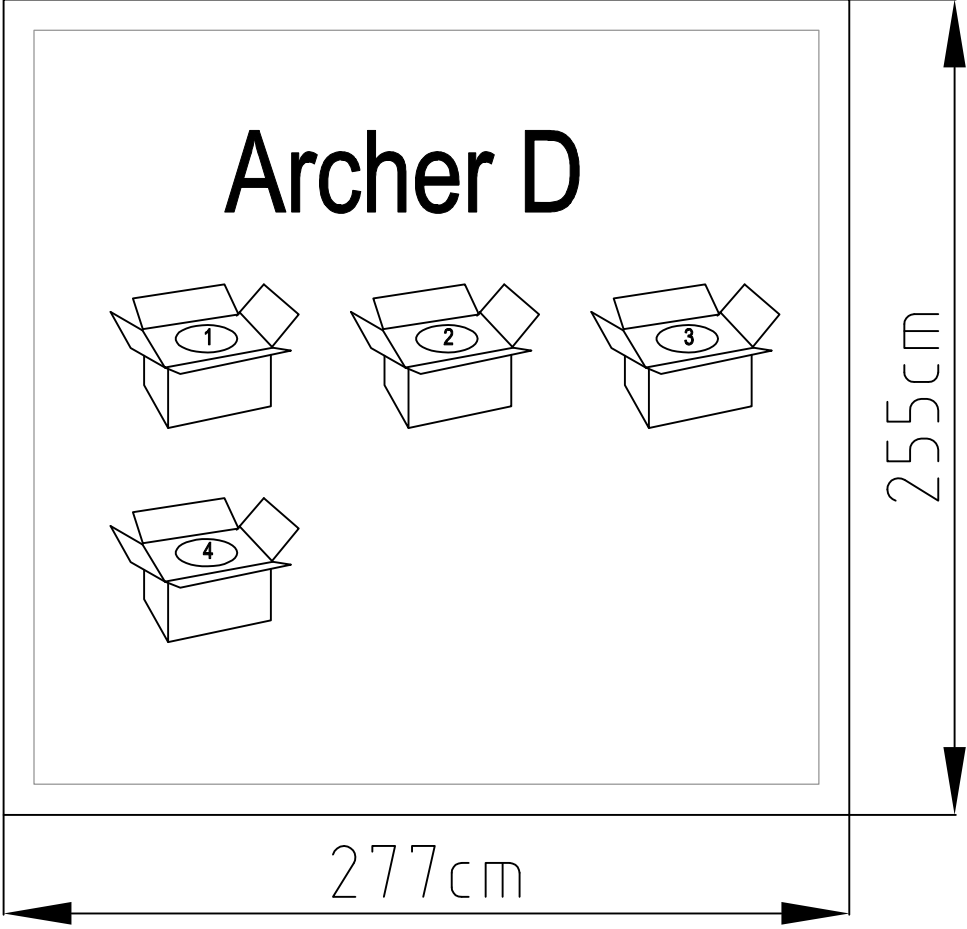
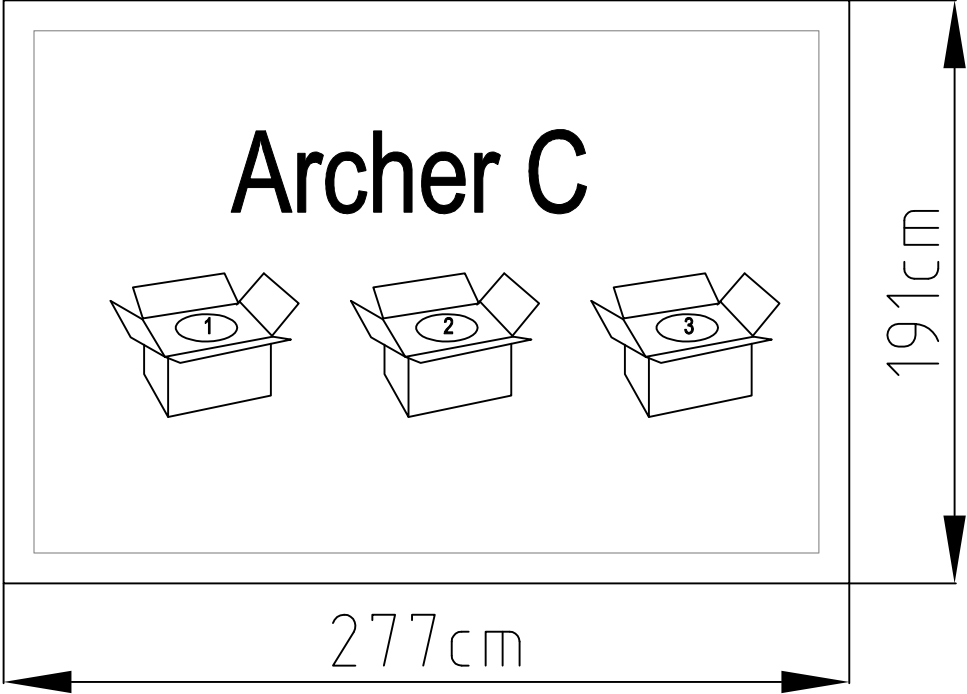
OWNER'S MANUAL /

Instructions for Assembly Archer C (D) (E)

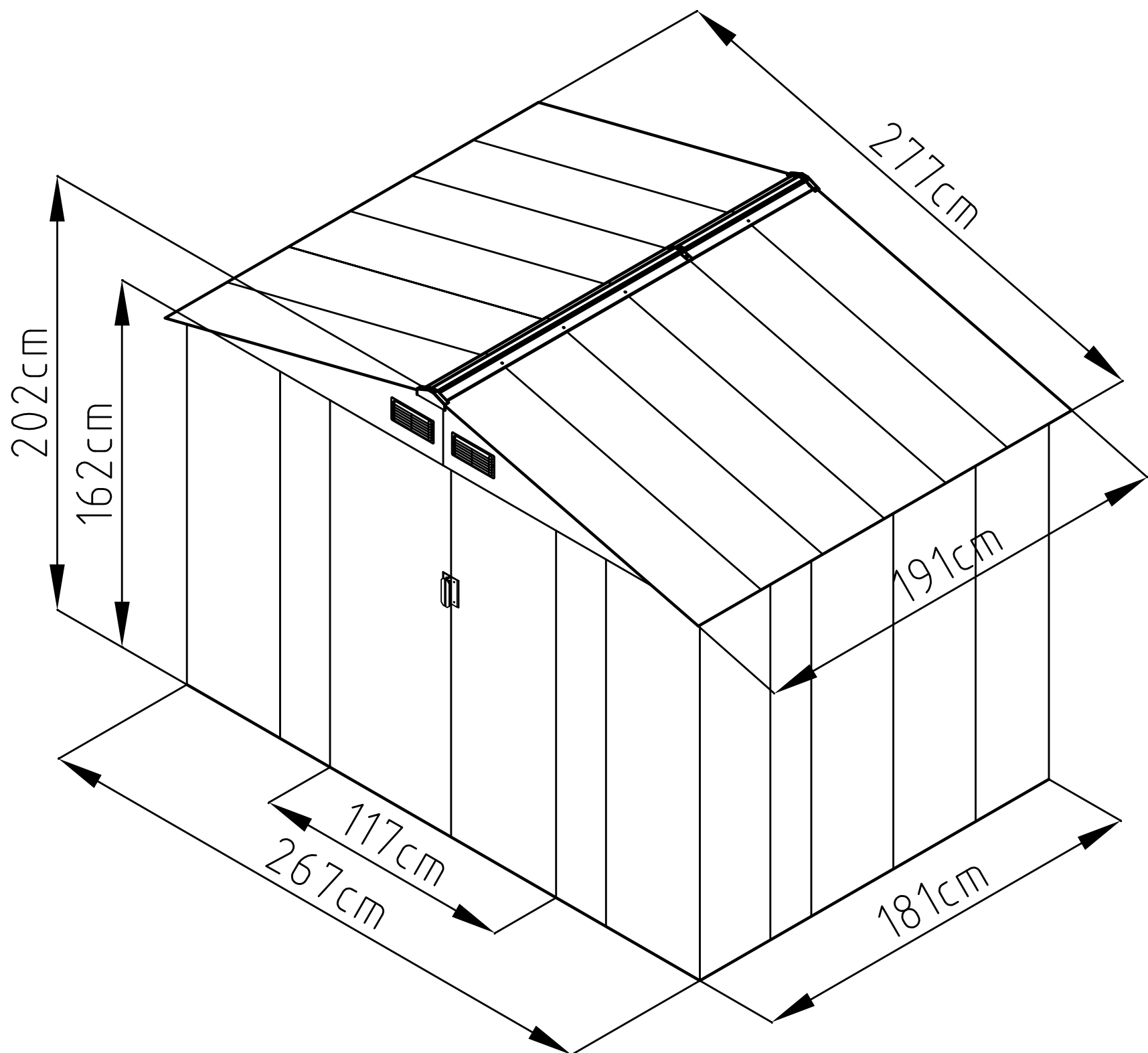


Requires two people and takes 3-4 hours for Installation.





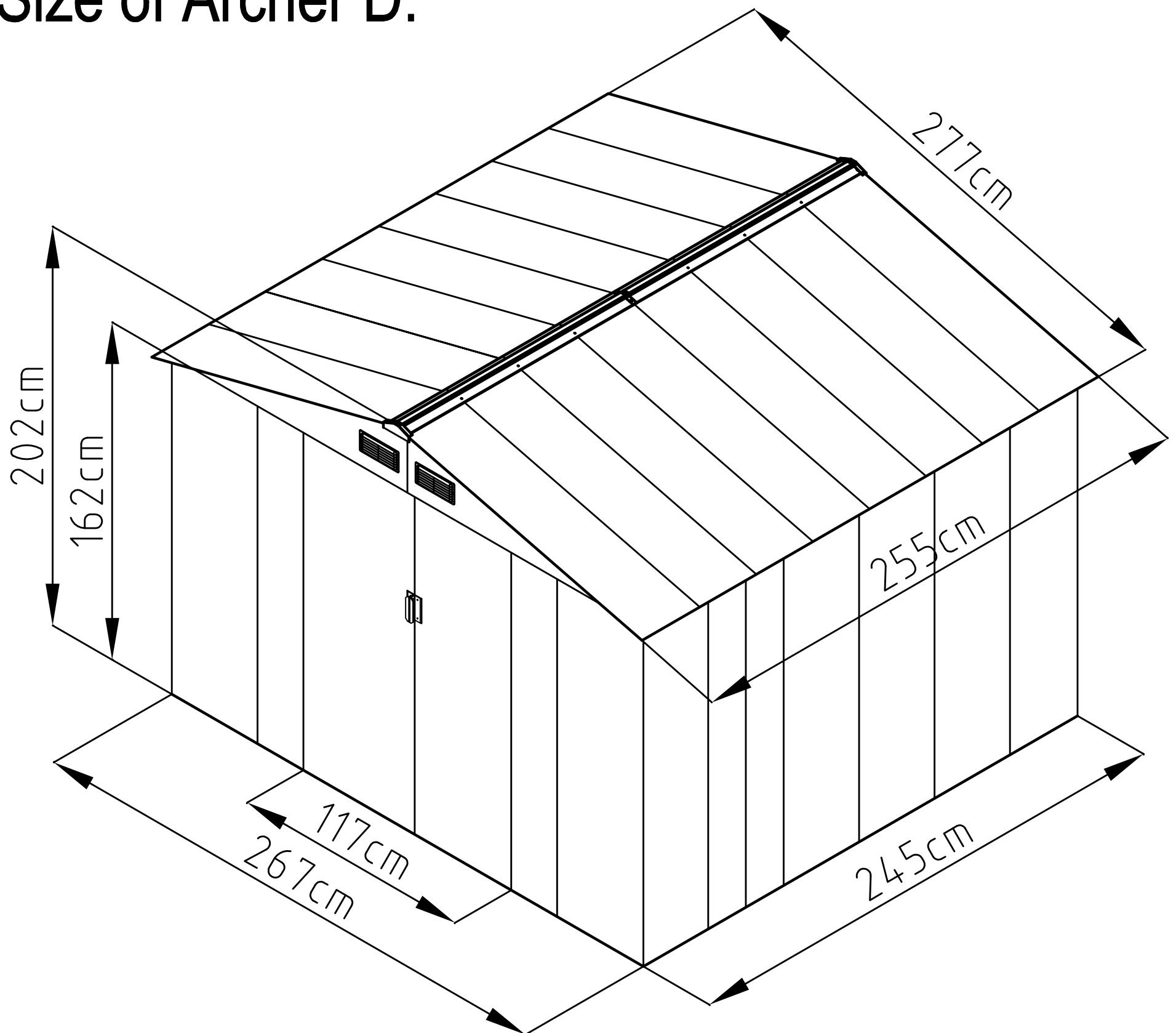
## Size of Archer C:



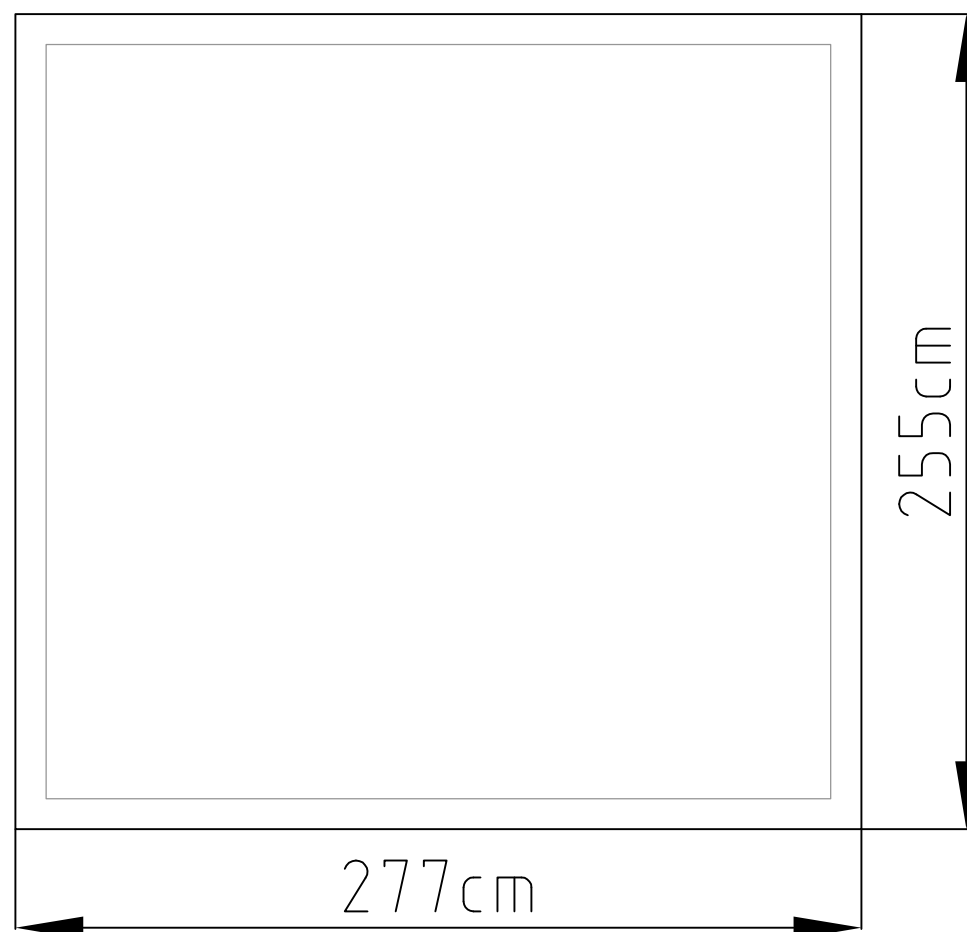
## Area of installation requirement:



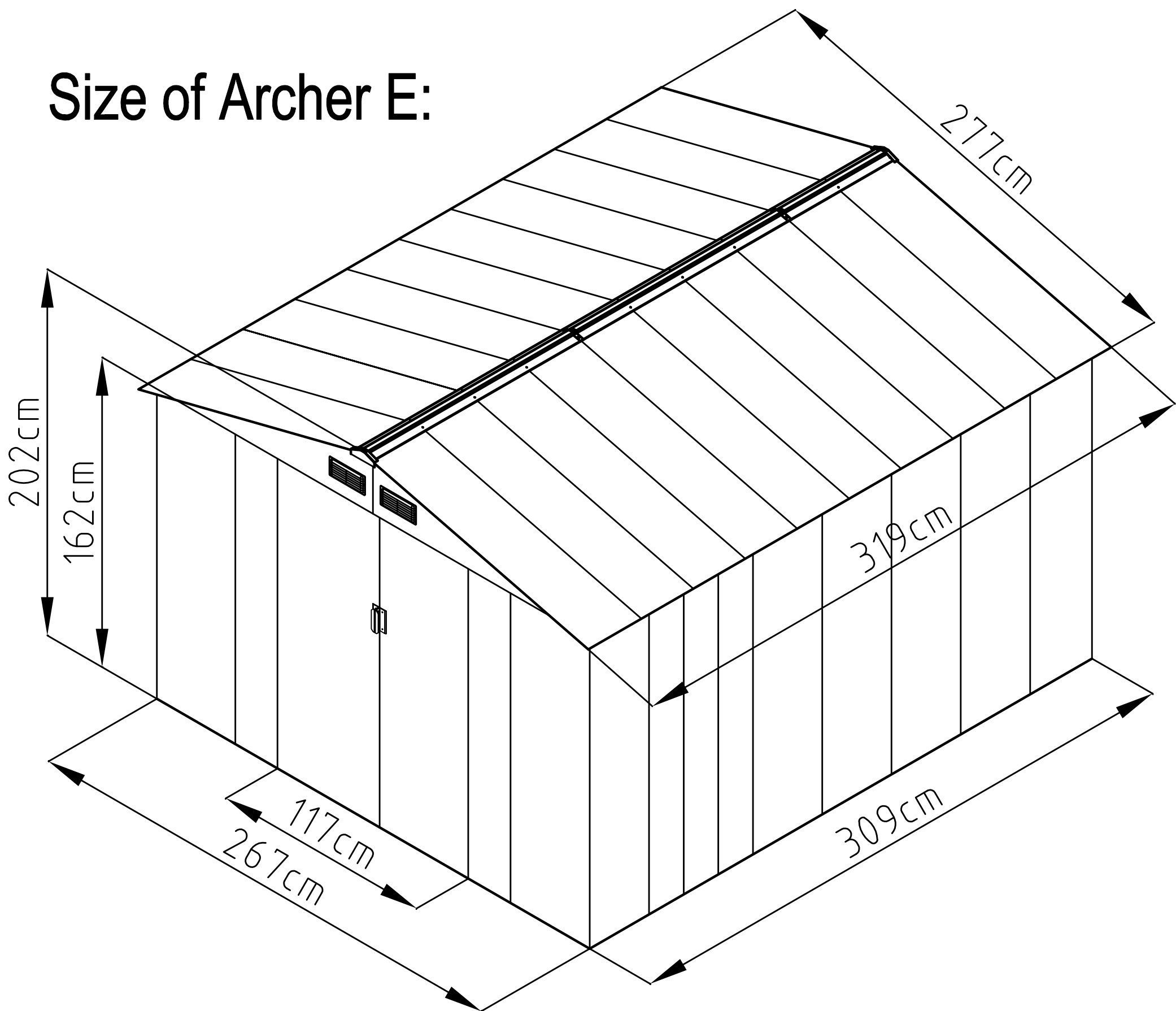
## Size of Archer D:



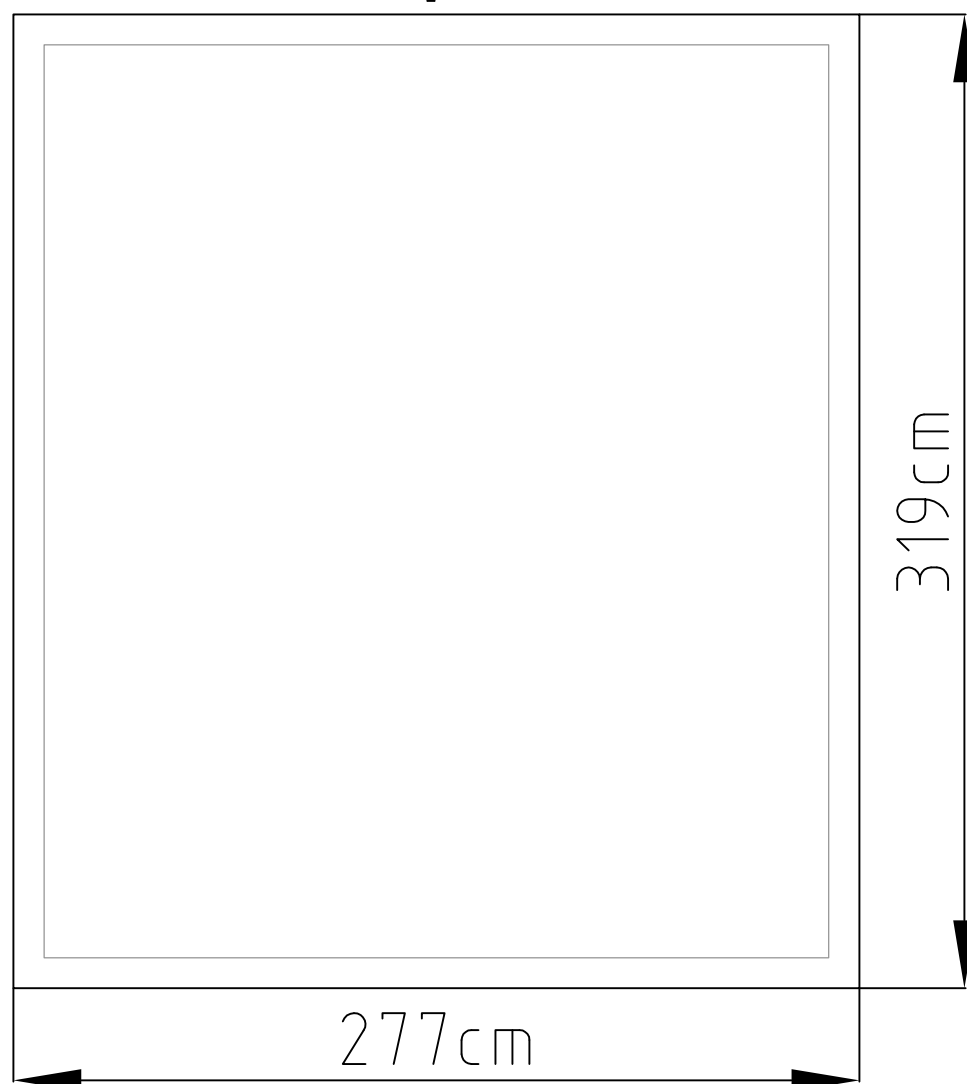
## Area of installation requirement:



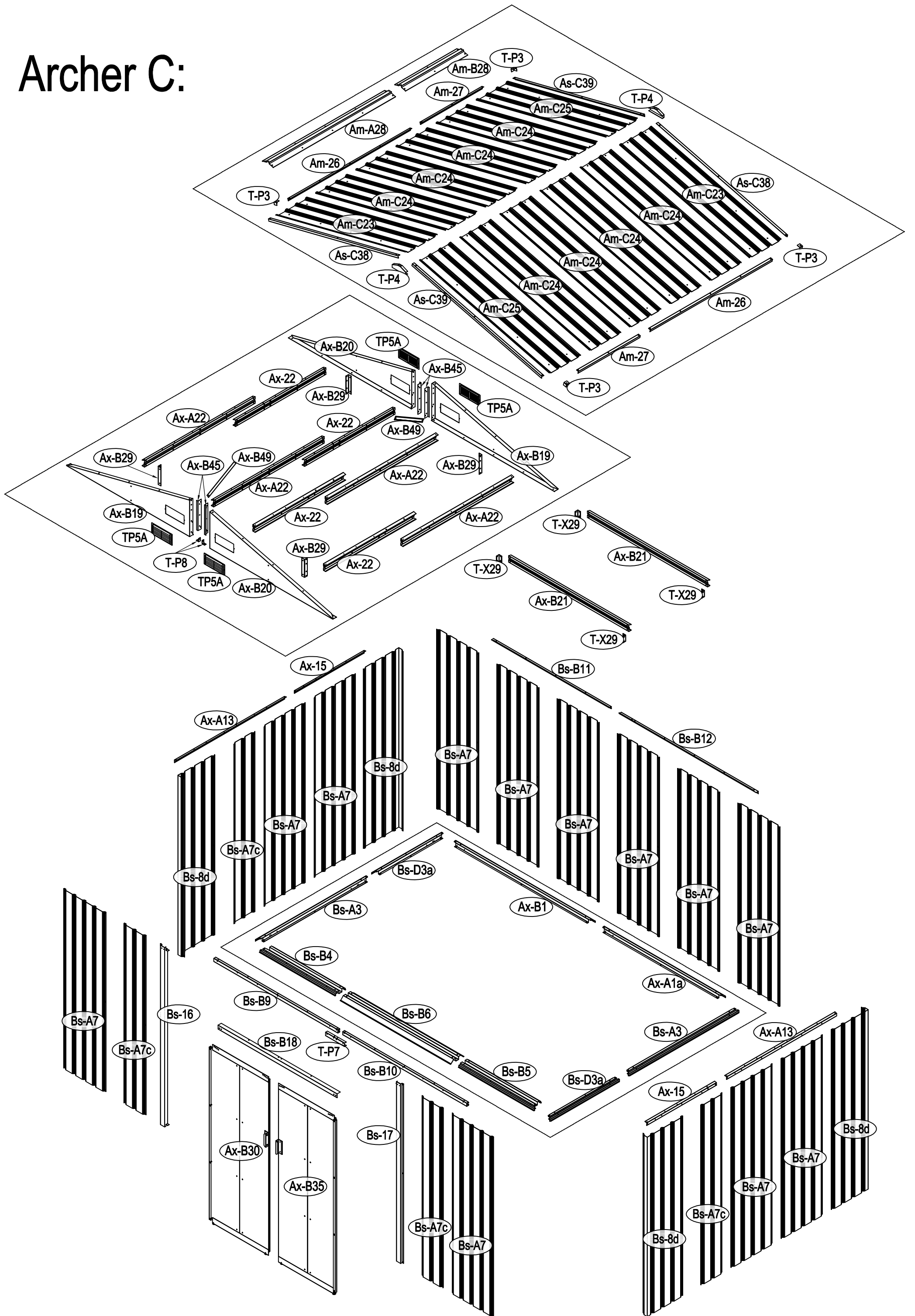
# Size of Archer E:



# Area of installation requirement:









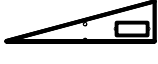



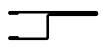










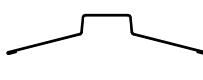
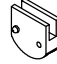



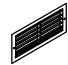


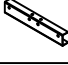















# Archer C:



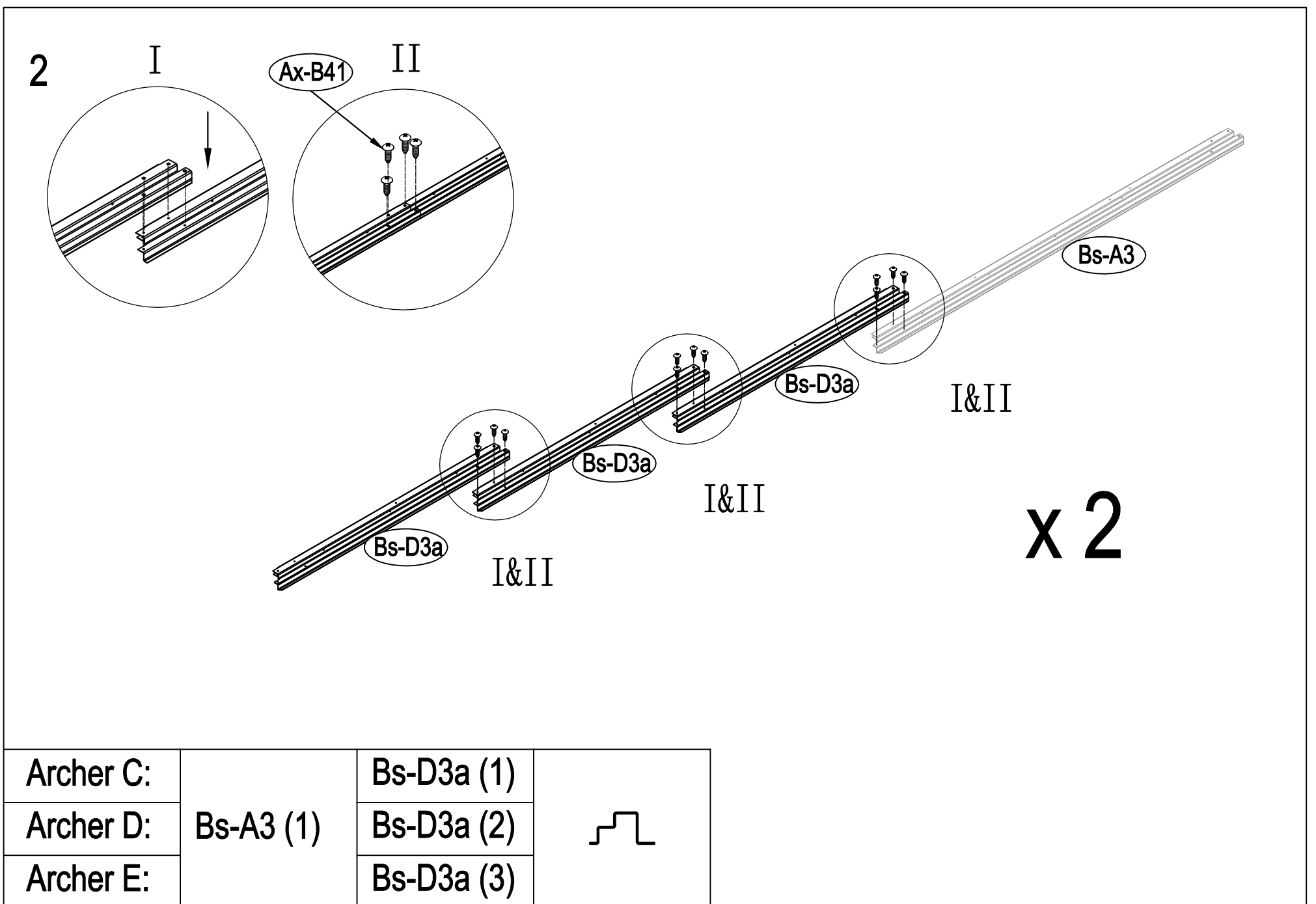
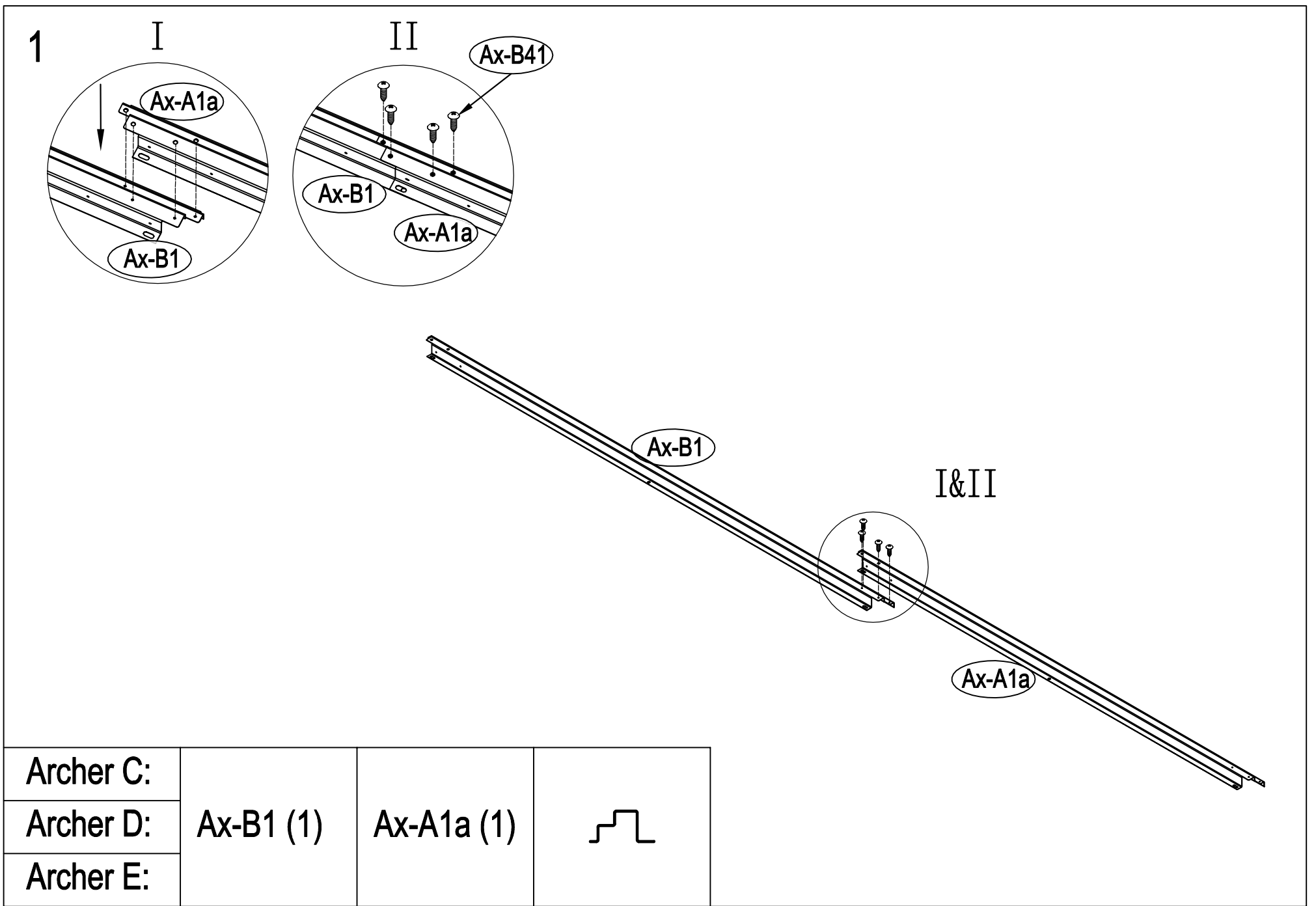


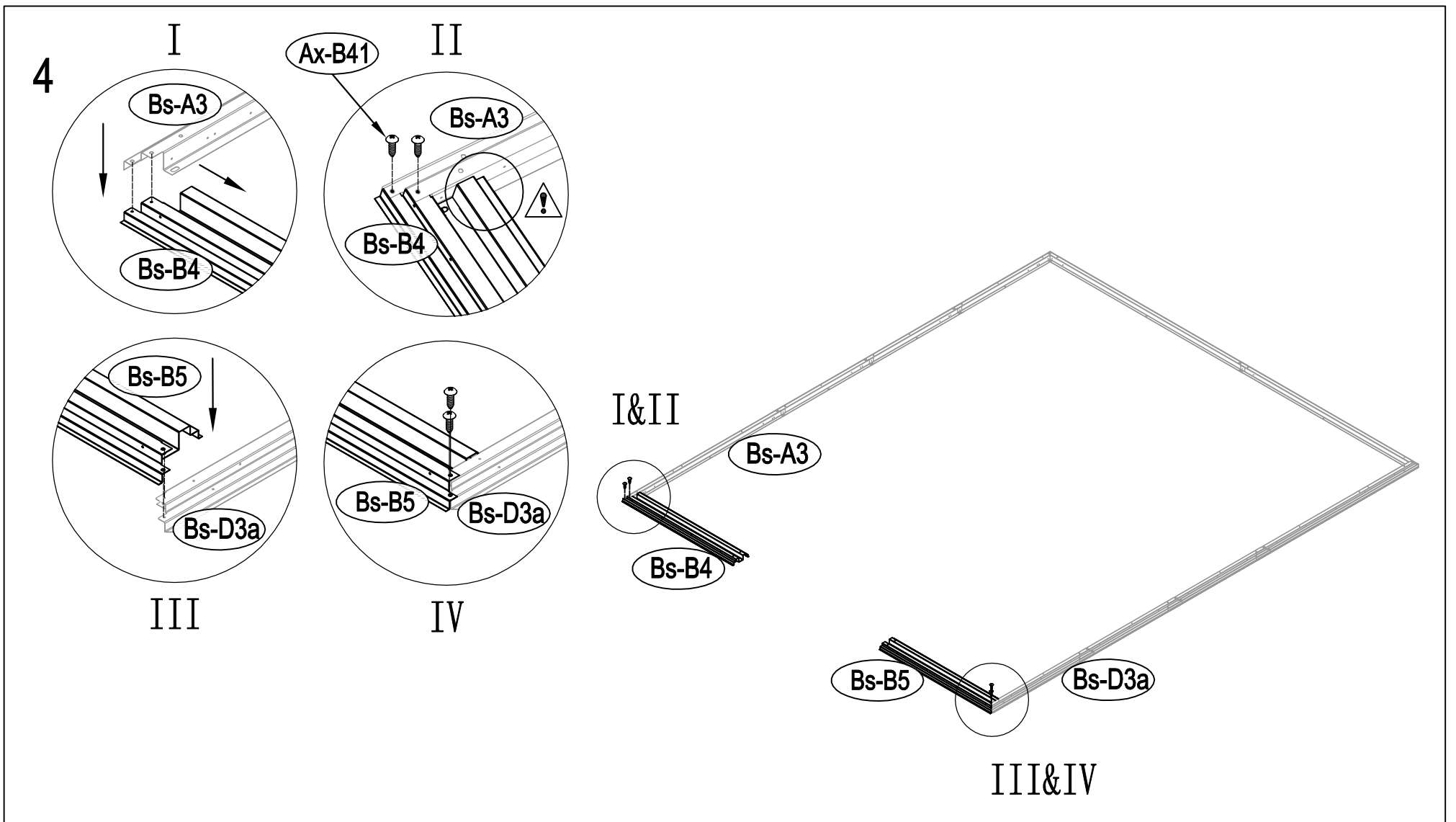
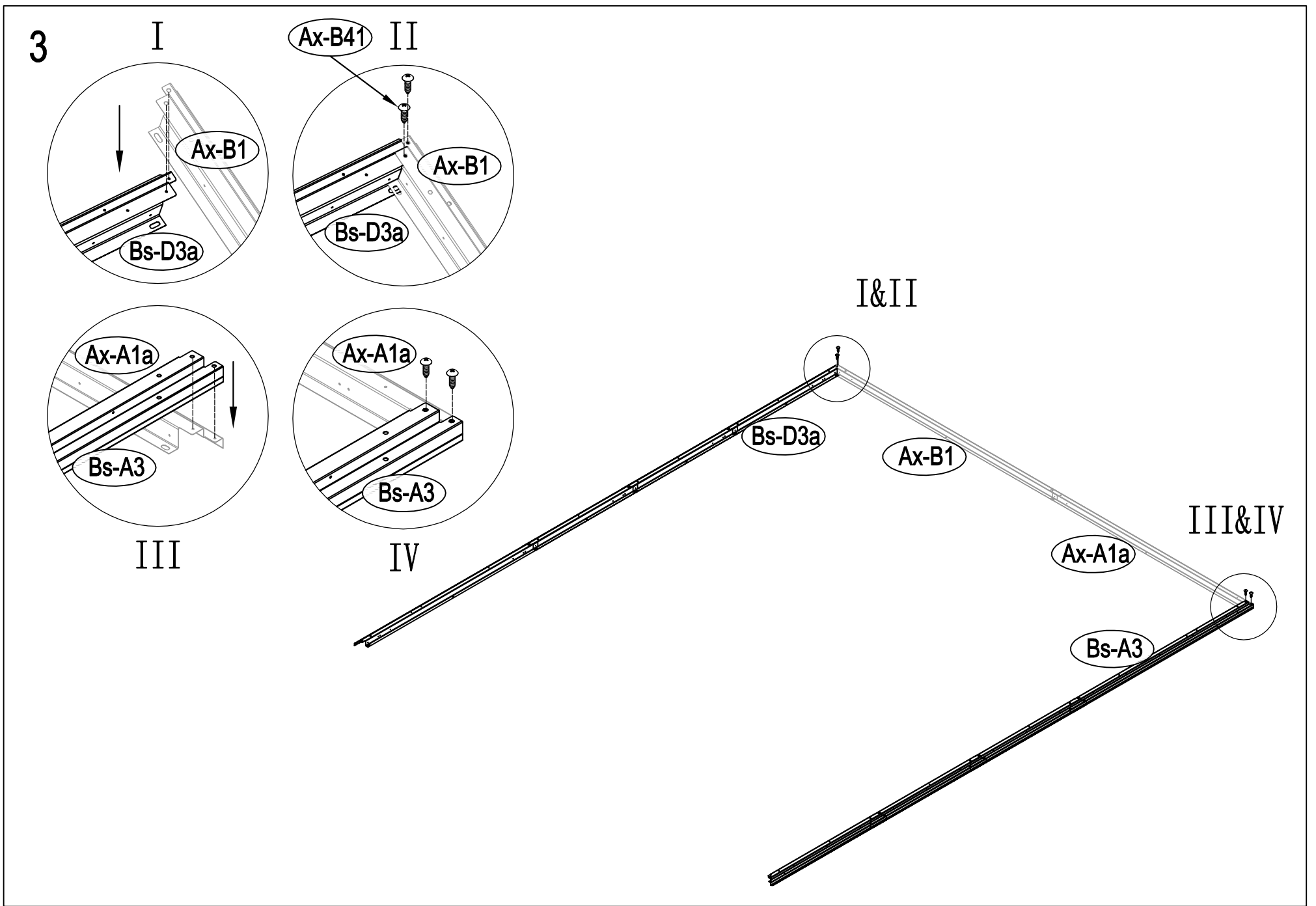




NO.	IMAGE	mm	QTY		NO.	IMAGE	mm	QTY
BOX 1					Ax-A13		1168	x2
Bs-8d		1648	x4		Ax-15		739	x2
Bs-16		1648	x1		Ax-B21		1271	x2
Bs-17		1648	x1		Ax-A22		1170	x4
Bs-B18		1257	x1		Ax-22		850.5	x4
Ax-B19		1305	x2		Am-26			1296
Ax-B20		1305	x2		Am-27	657		x2
Am-C23		1420	x2		As-C38	1418		x2
Am-C24		1420	x8		As-C39	1418		x2
Am-C25		1420	x2		T-X29		56	x4
Ax-B33		593	x1		Ax-B29		166	x4
Ax-B34		593	x1		Ax-B45		272	x4
Ax-B36		593	x1		Ax-B49		256.5	x2
Ax-B37		593	x1		Ts-31		1583	x2
				x1	Ax-31a		1583	x2
BOX 2					Ax-B32		287.5	x4
Bs-A7		1648	x12	Ax-B32a	265.5		x4	
Bs-A7c		1648	x4	T-P1			x4	
Am-A28		1298	x1	T-P2			x4	
Am-B28		659	x1	T-P3			x4	
Ax-B30		1583	x1	T-P4			x2	
Ax-B35		1583	x1	TP5A			x4	
Ax-B30a		1583	x2	T-P6			x2	
BOX 3					T-P7		200	x1
Ax-B1		1480	x1	T-P8			x2	
Ax-A1a		1287	x1	Ax-B40			x228	
Bs-A3		1174	x2	Ax-B41		ST4x10	x263	
Bs-D3a		741	x2	Ax-B42		ST4x16	x20	
Bs-B4		803	x1	Ax-B43		M4x10	x141	
Bs-B5		803	x1	Ax-B44			x85	
Bs-B6		1171	x1	BOX 4				
Bs-B9		1315	x1	Bs-D3a		741	x2	
Bs-B10		1315	x1	Bs-A7		1648	x2	
Bs-B11		1249	x1	Bs-A7c		1648	x2	
Bs-B12		1453	x1	Ax-15		739	x2	

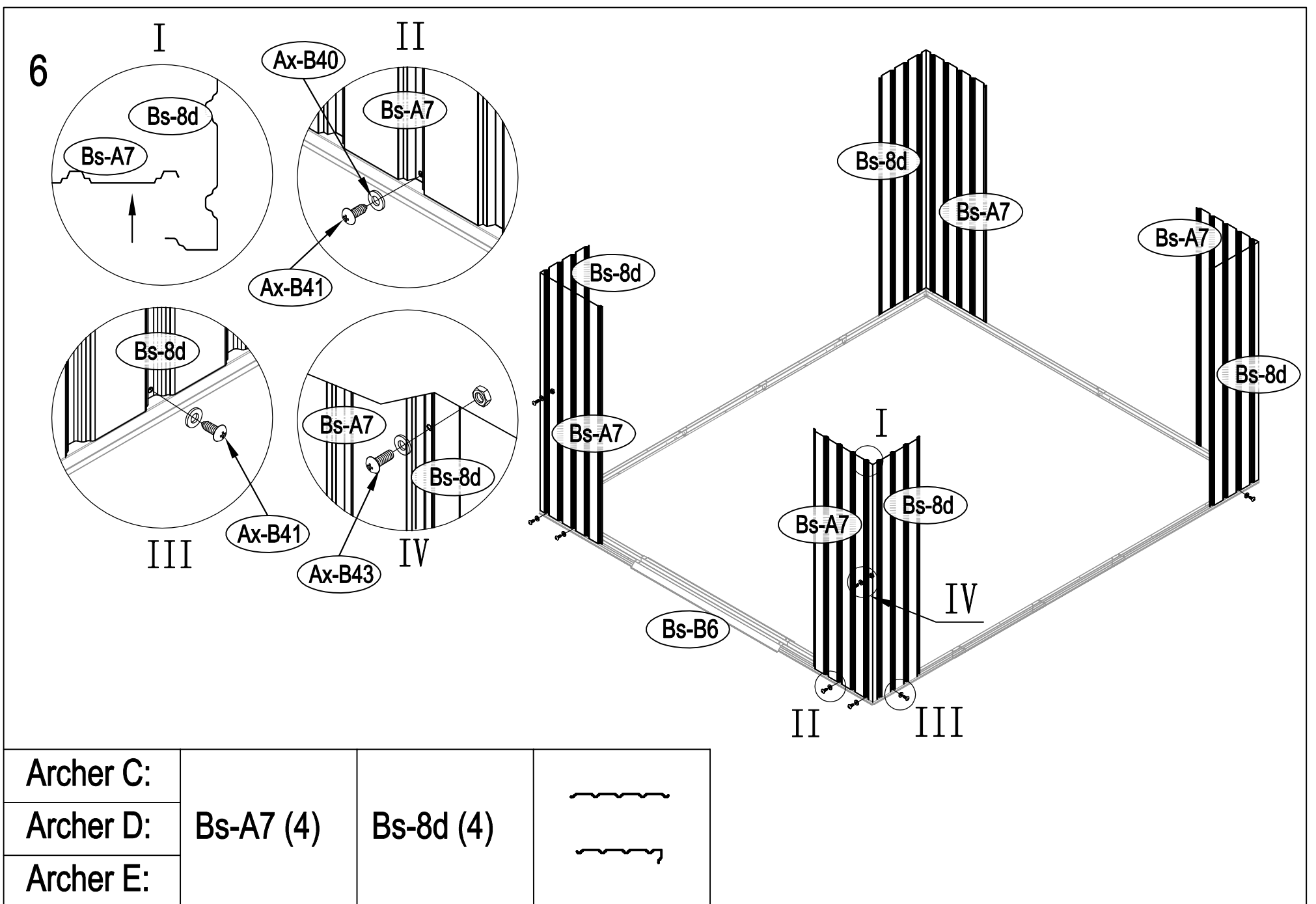
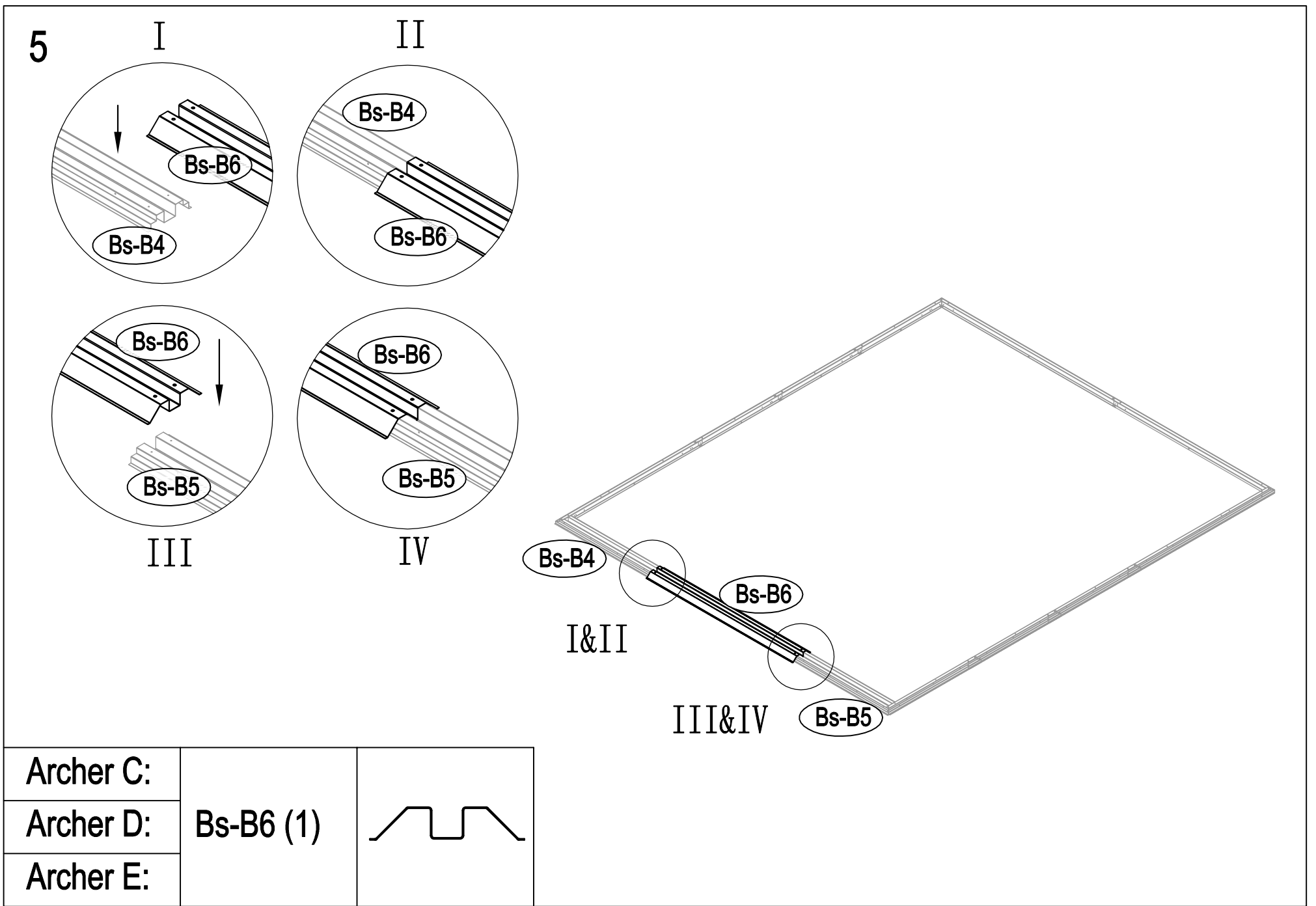




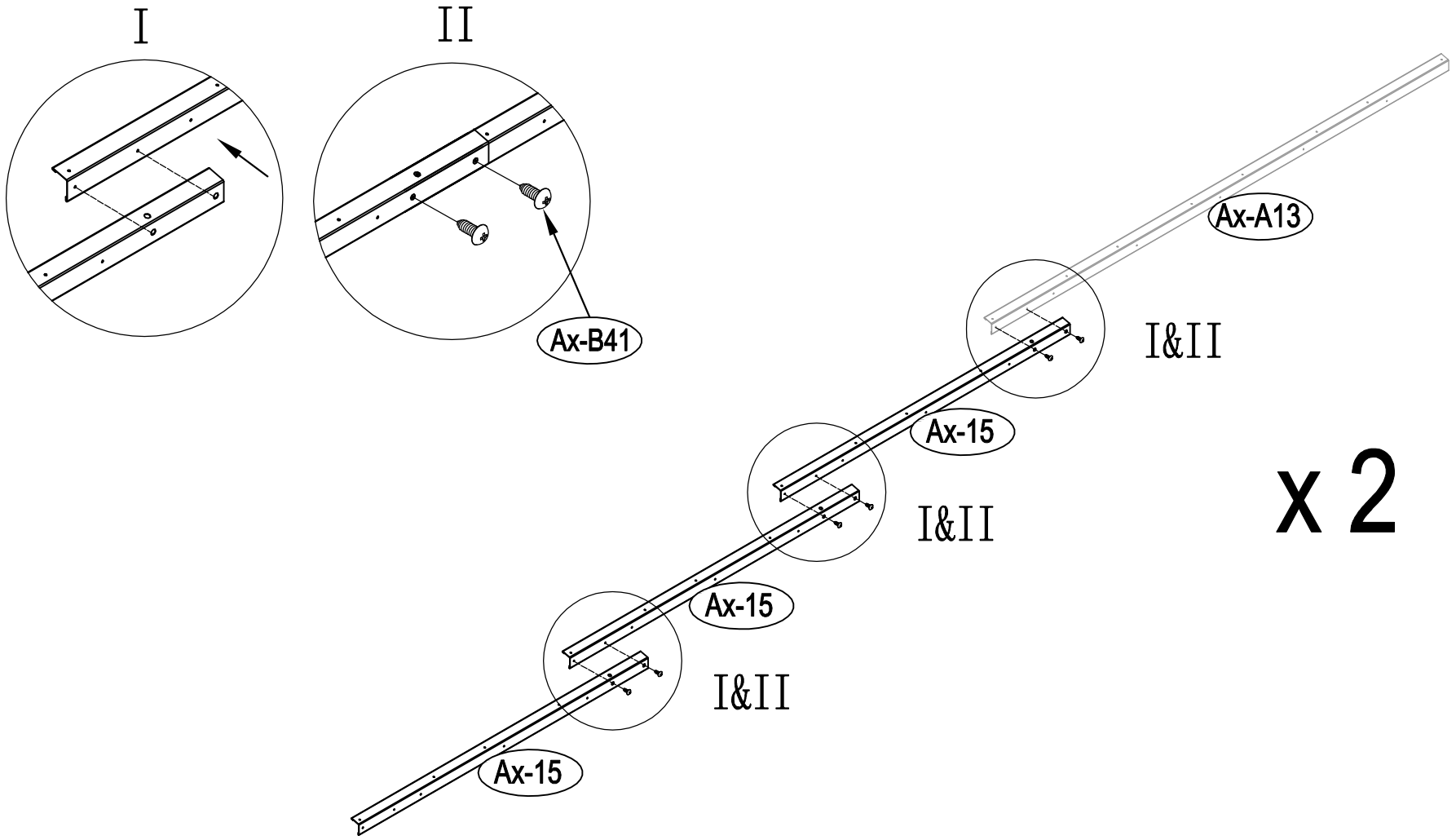


Archer C:			
Archer D:	Bs-B4 (1)	Bs-B5 (1)	
Archer E:			



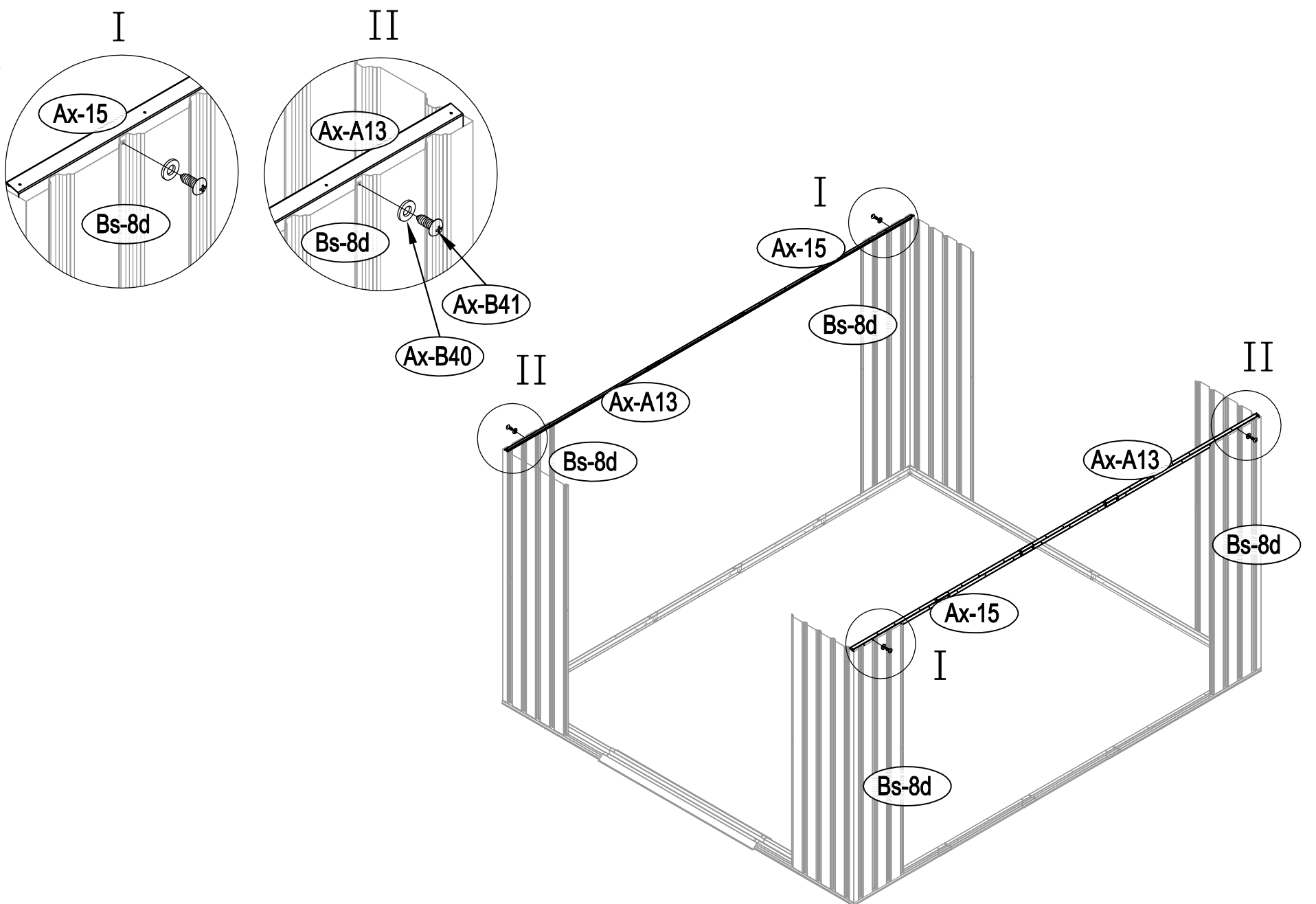


7

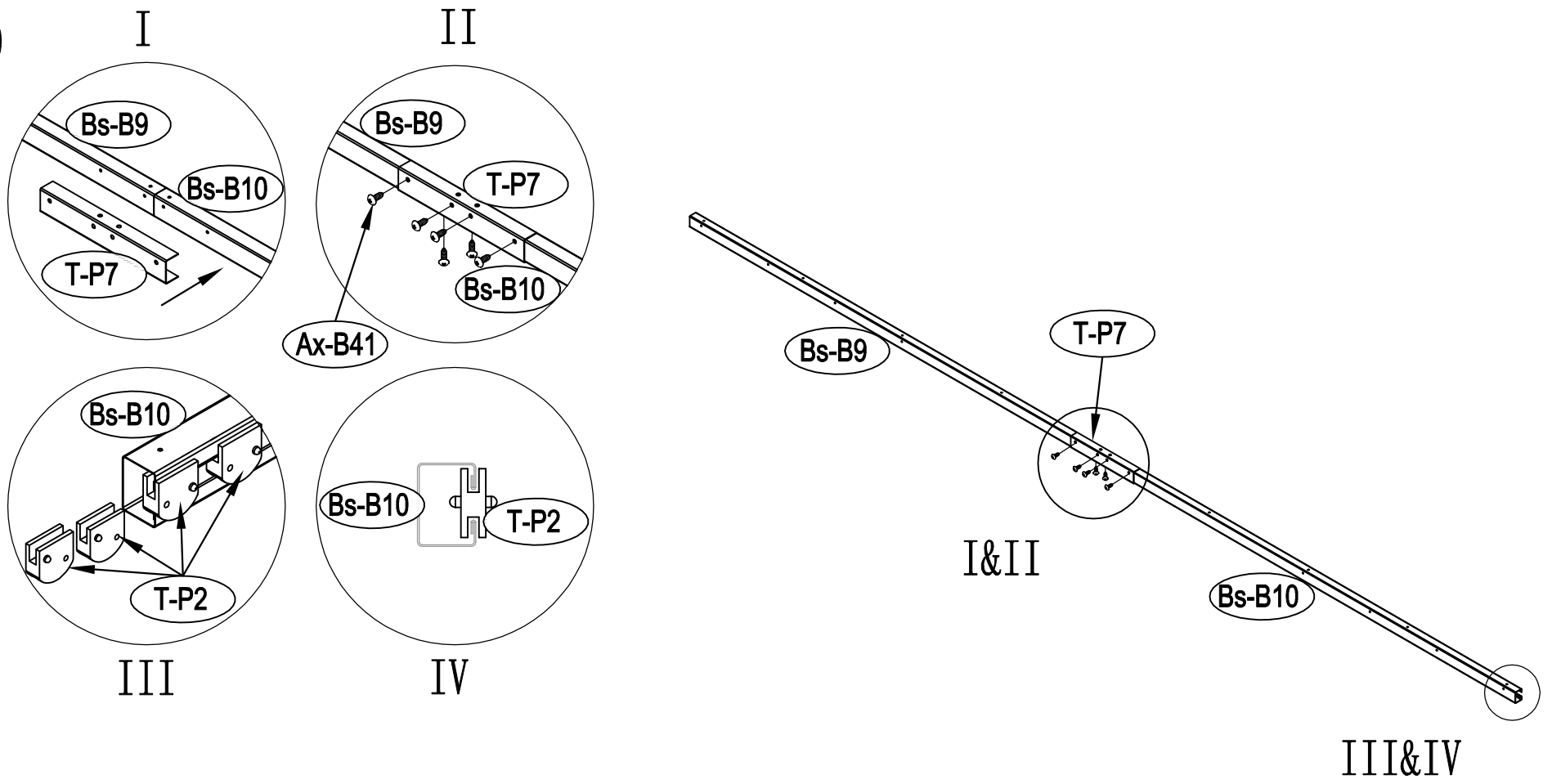


Archer C:		Ax-15 (1)	7
Archer D:	Ax-A13 (1)	Ax-15 (2)	
Archer E:		Ax-15 (3)	

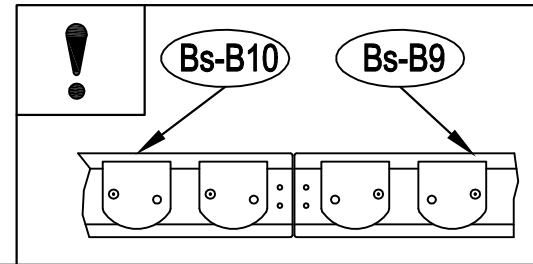
8



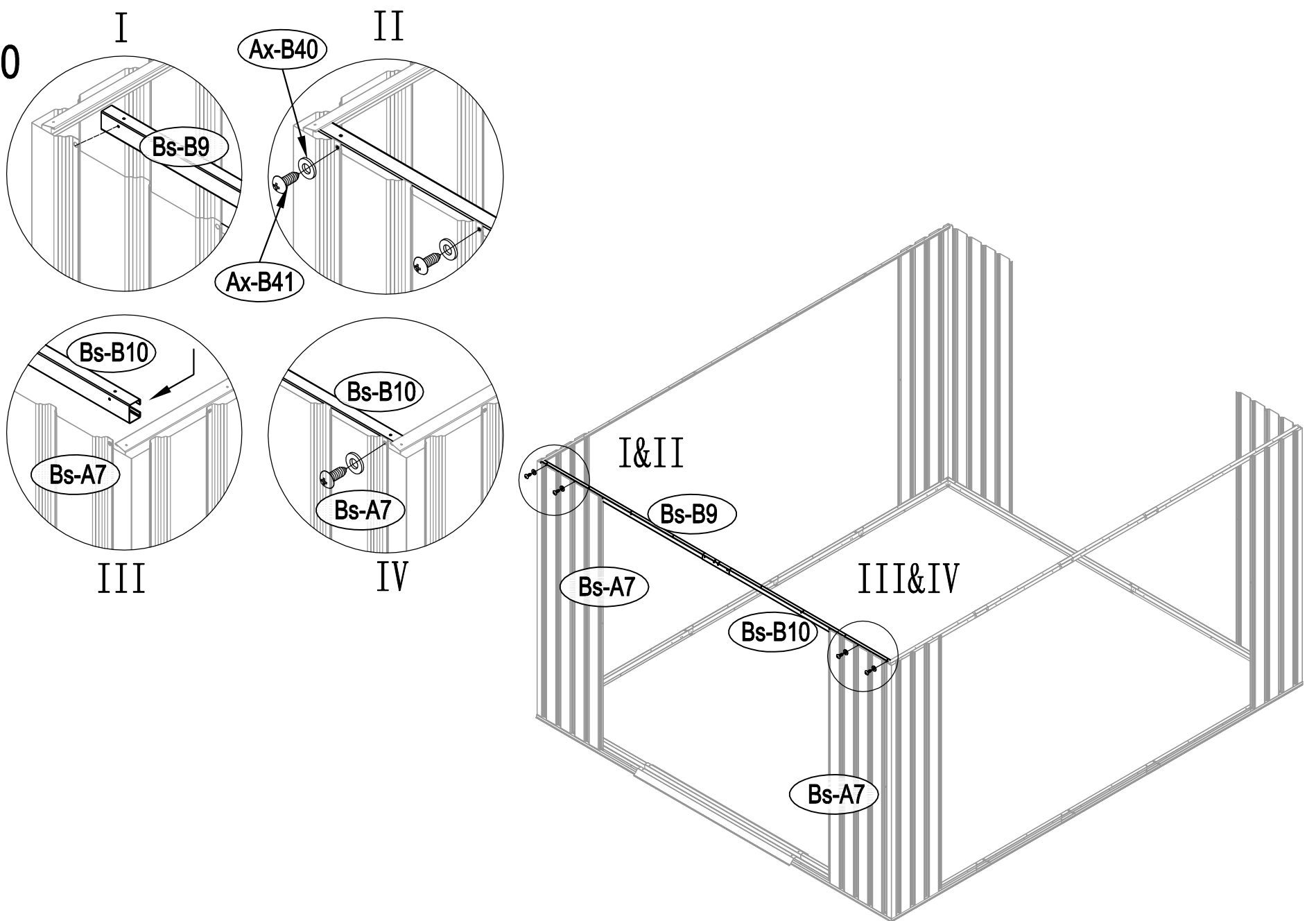
9



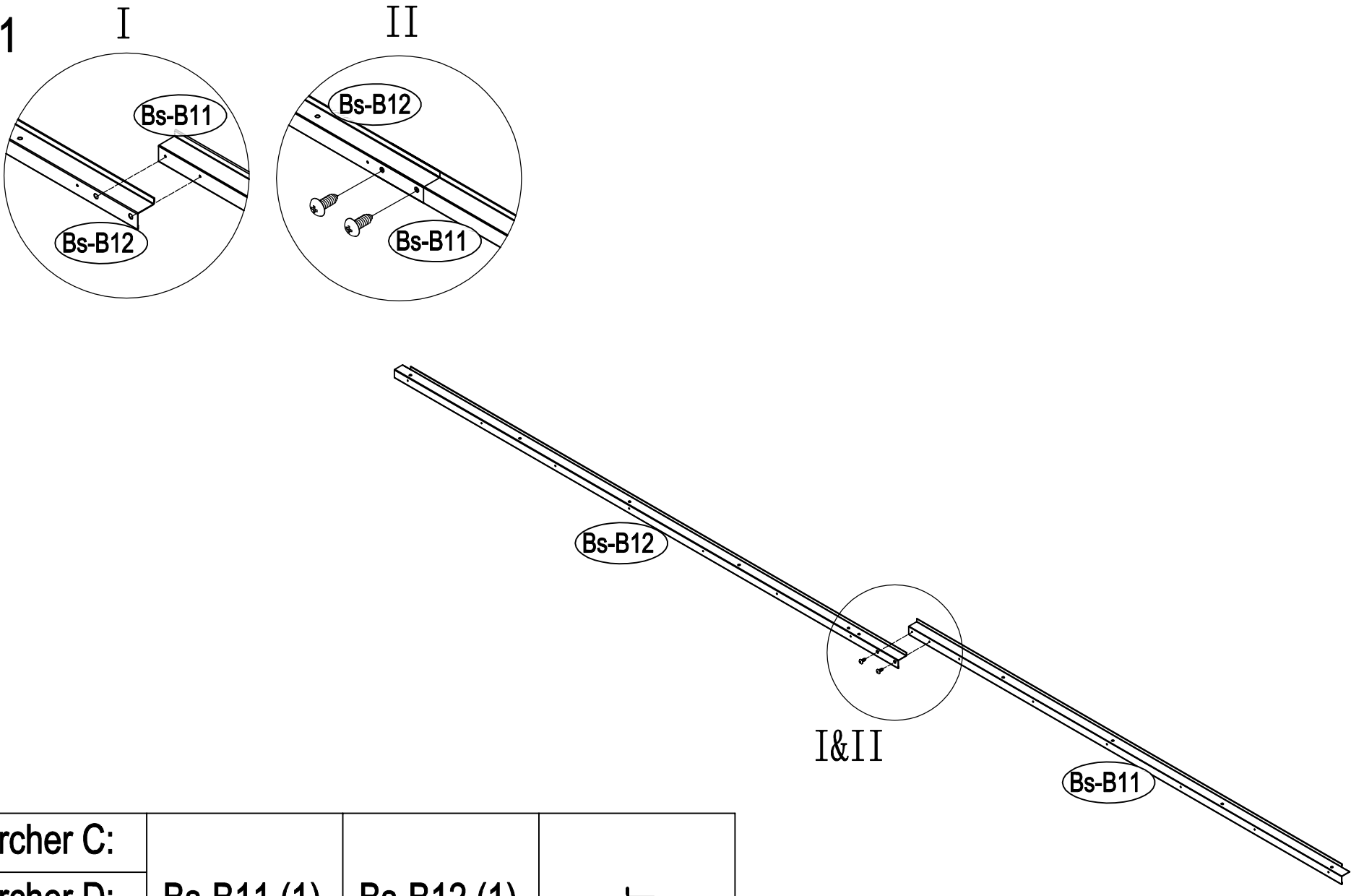
Archer C:			
Archer D:	Bs-B9 (1)	Bs-B10 (1)	□
Archer E:			



10

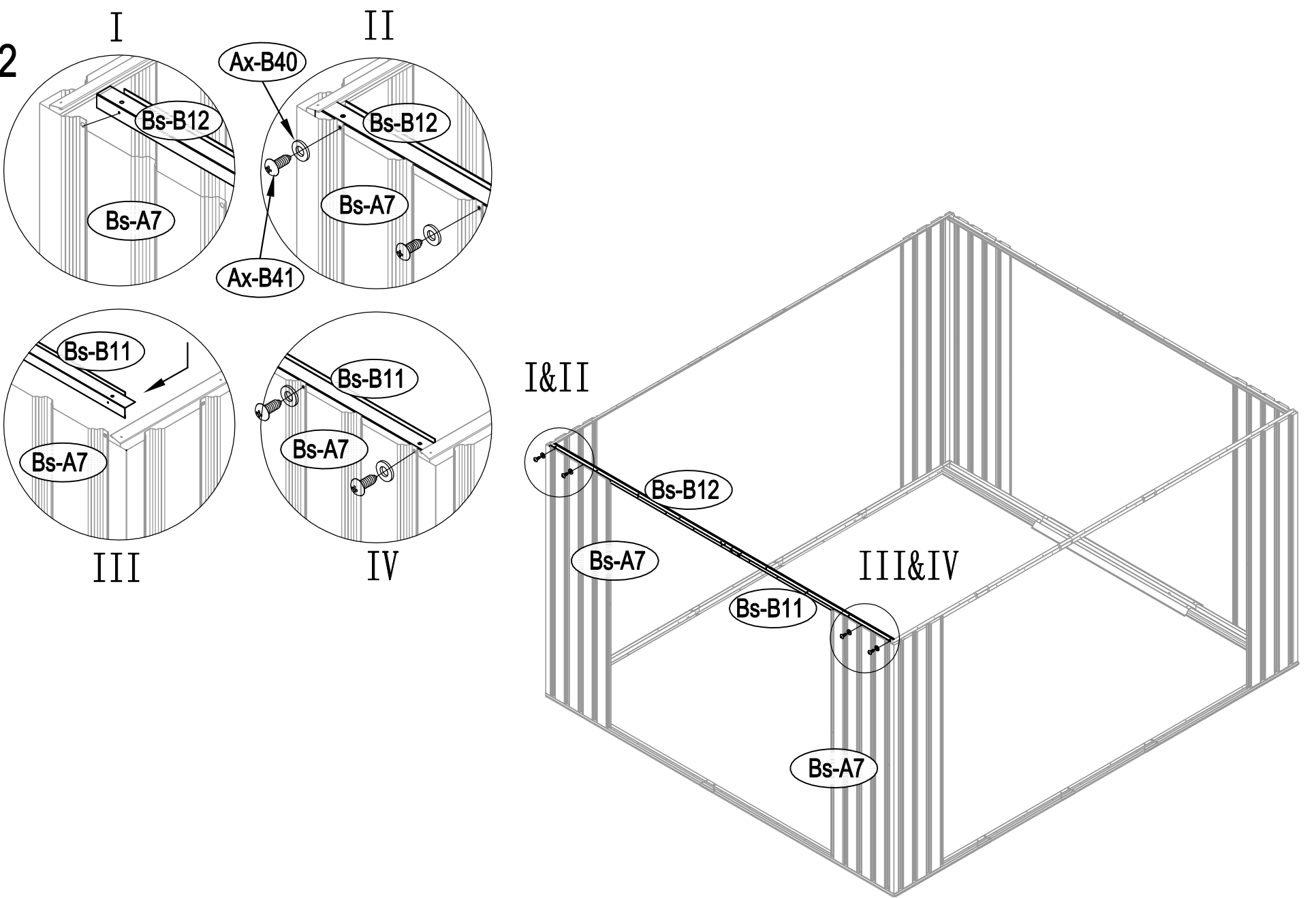


11



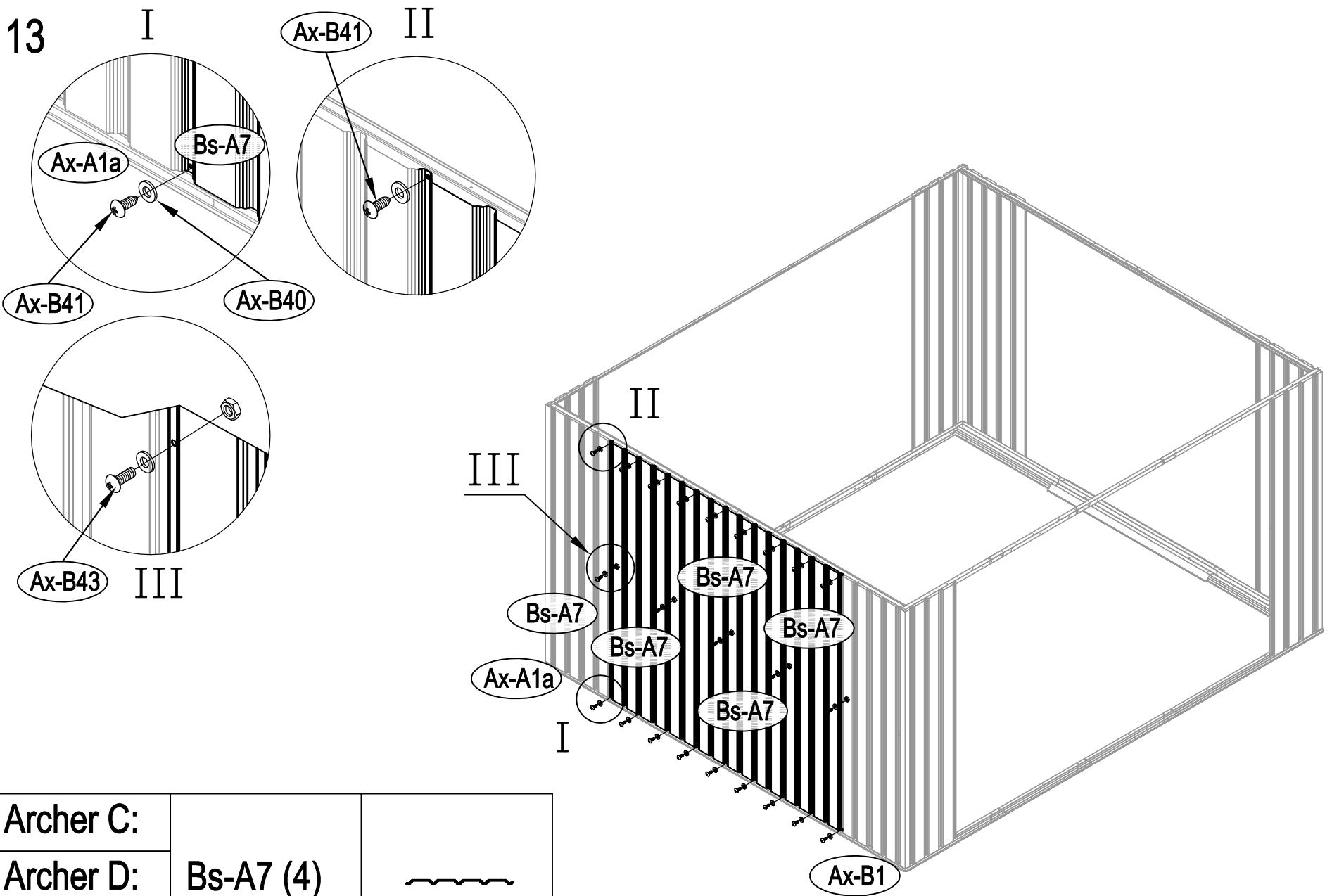
Archer C:			
Archer D:	Bs-B11 (1)	Bs-B12 (1)	└
Archer E:			

12



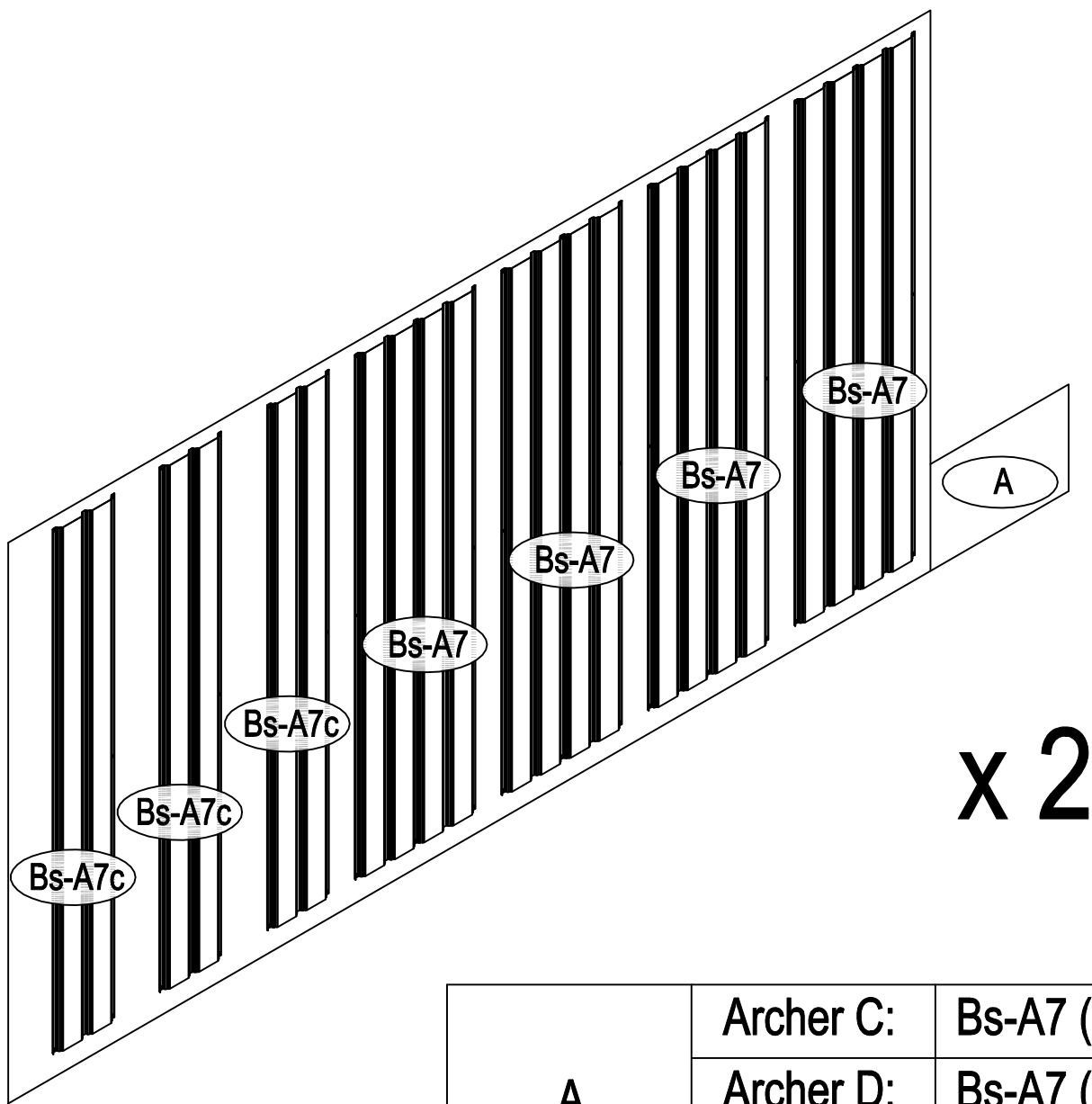


13



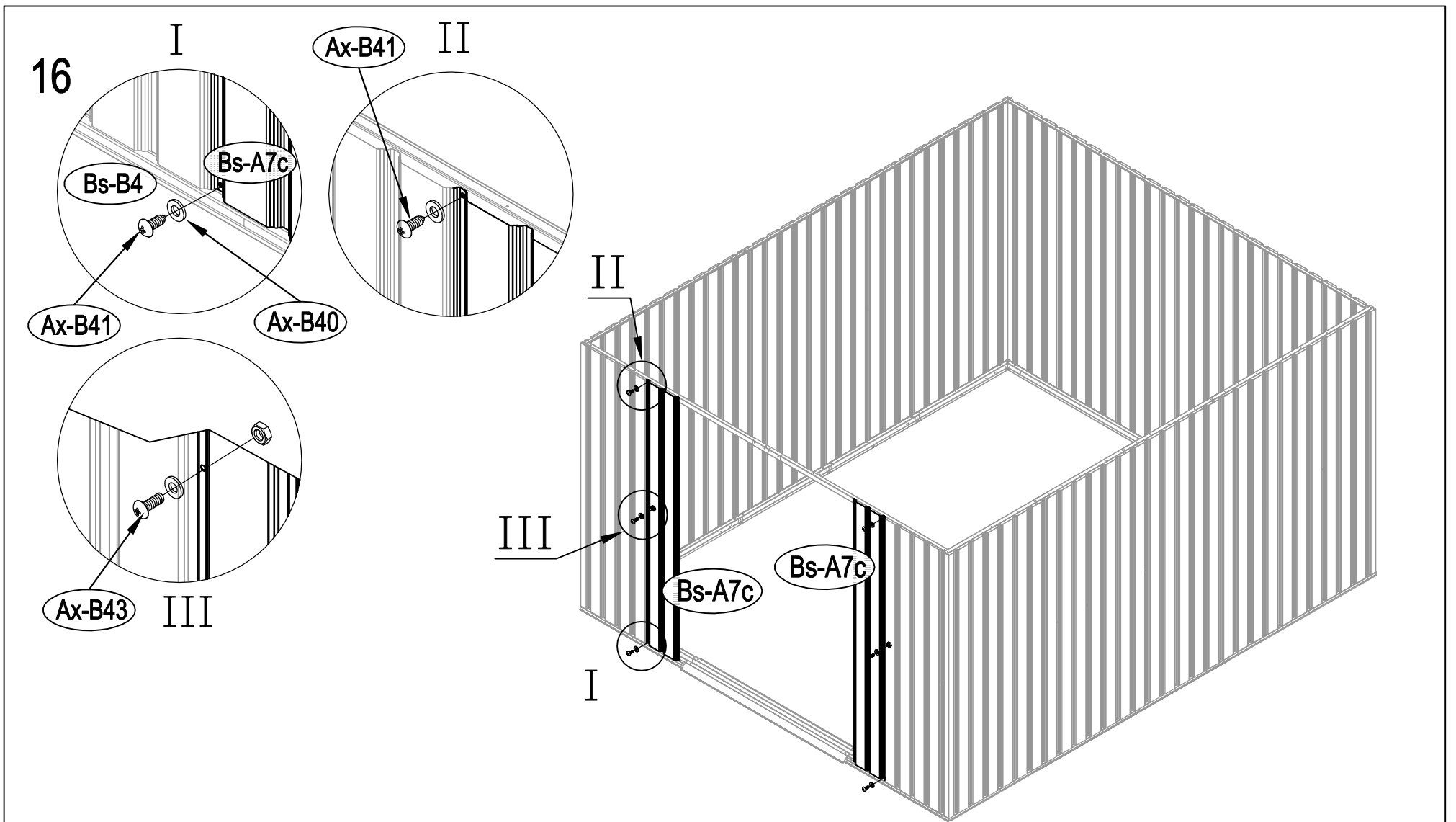
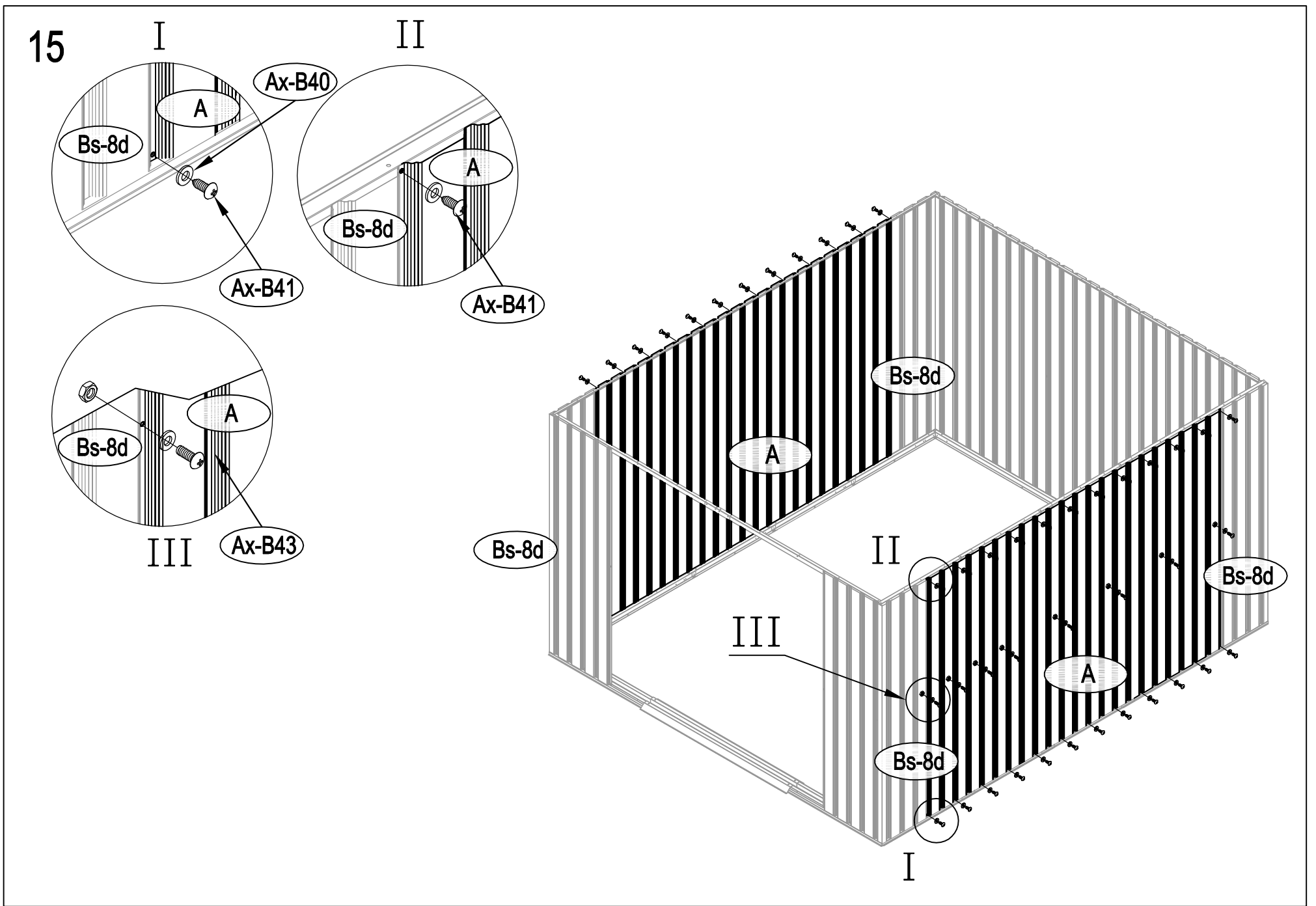
Archer C:		
Archer D:	Bs-A7 (4)	
Archer E:		


14



A	Archer C:	Bs-A7 (2)	Bs-A7c (1)	
	Archer D:	Bs-A7 (3)	Bs-A7c (2)	
	Archer E:	Bs-A7 (4)	Bs-A7c (3)	

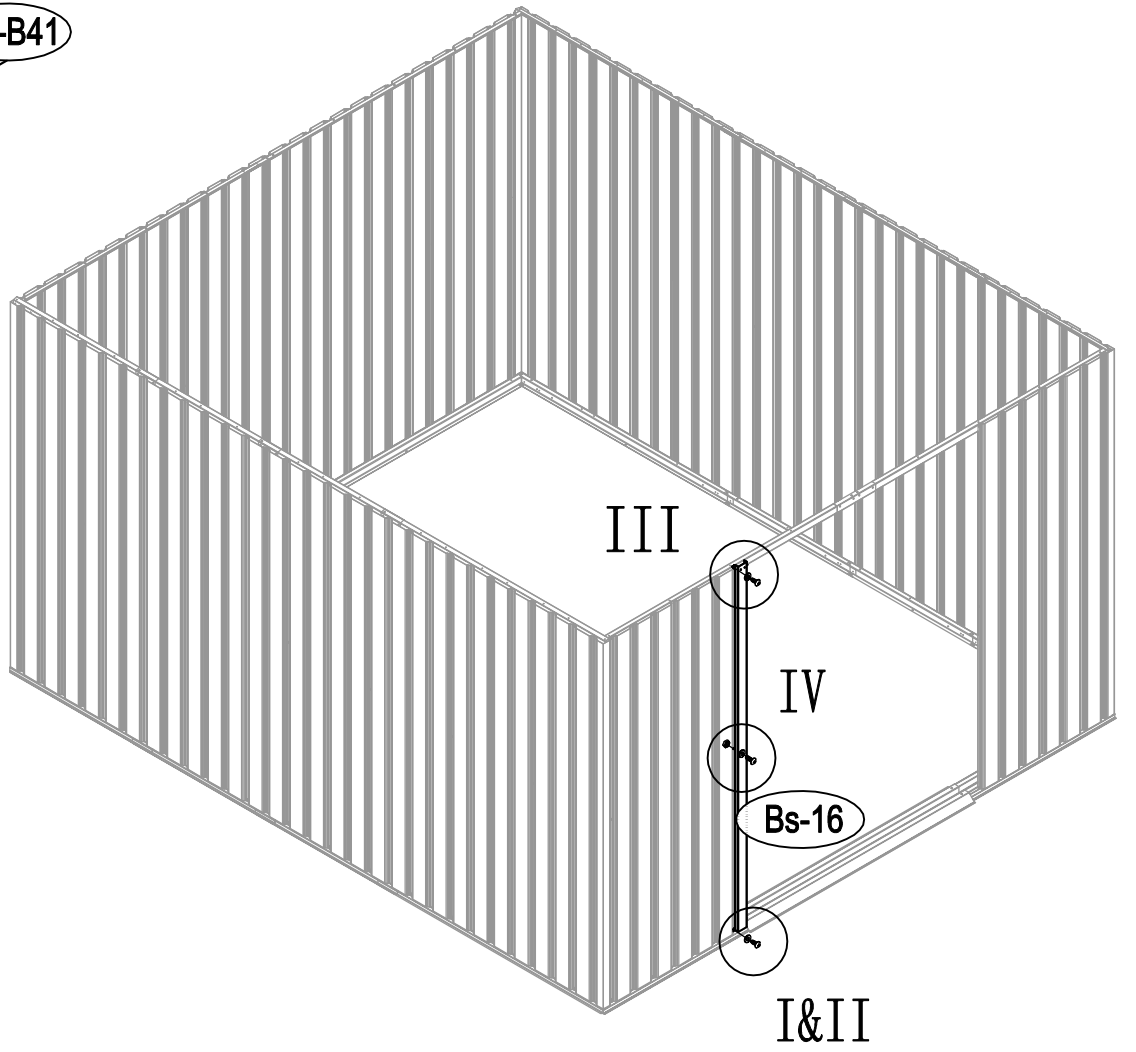
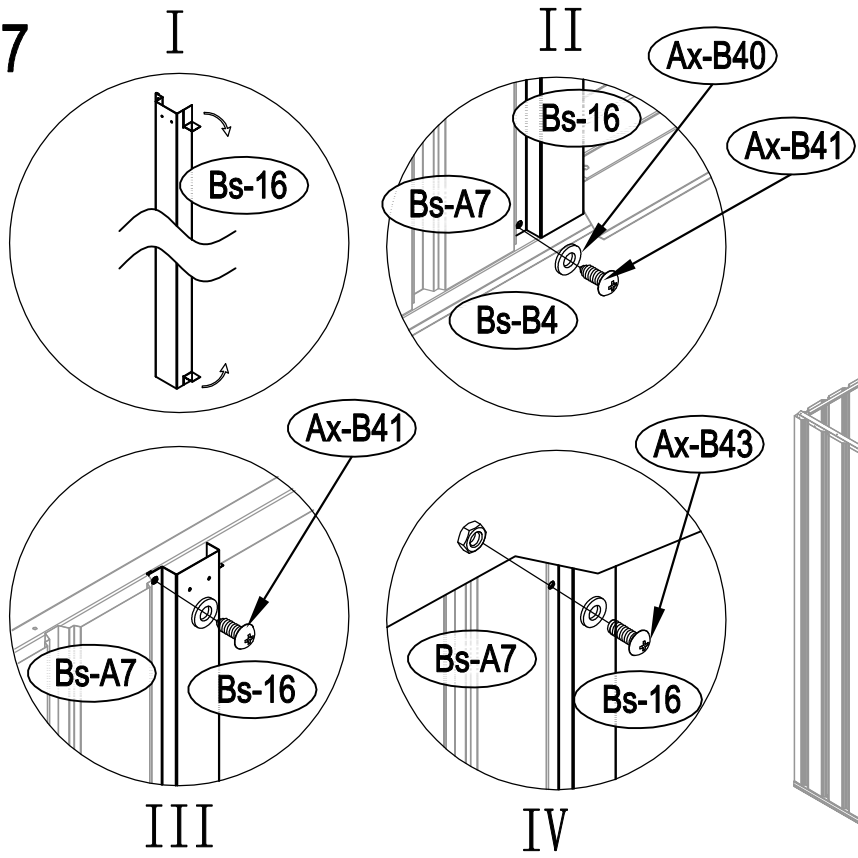




Archer C:		
Archer D:	Bs-A7c (2)	
Archer E:		

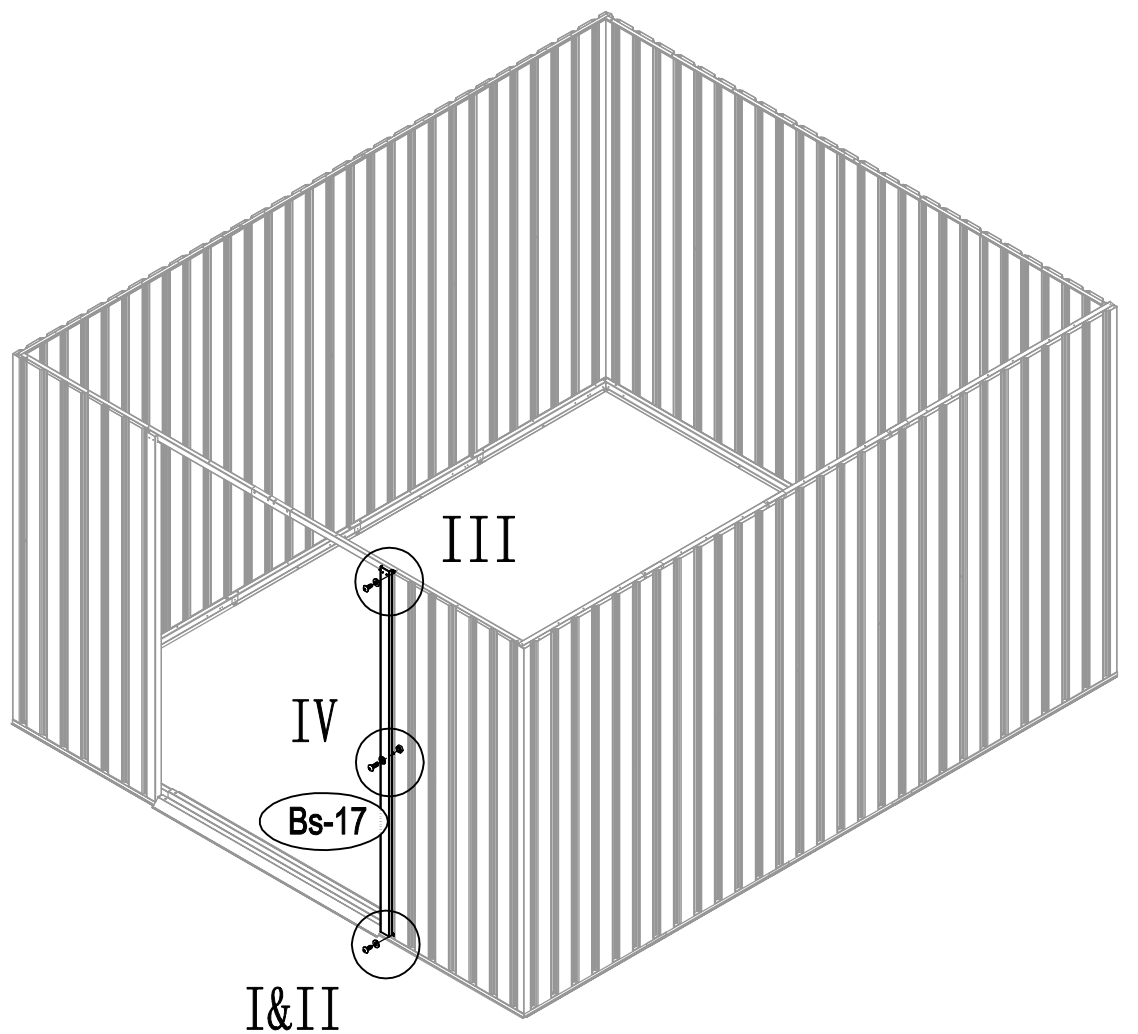
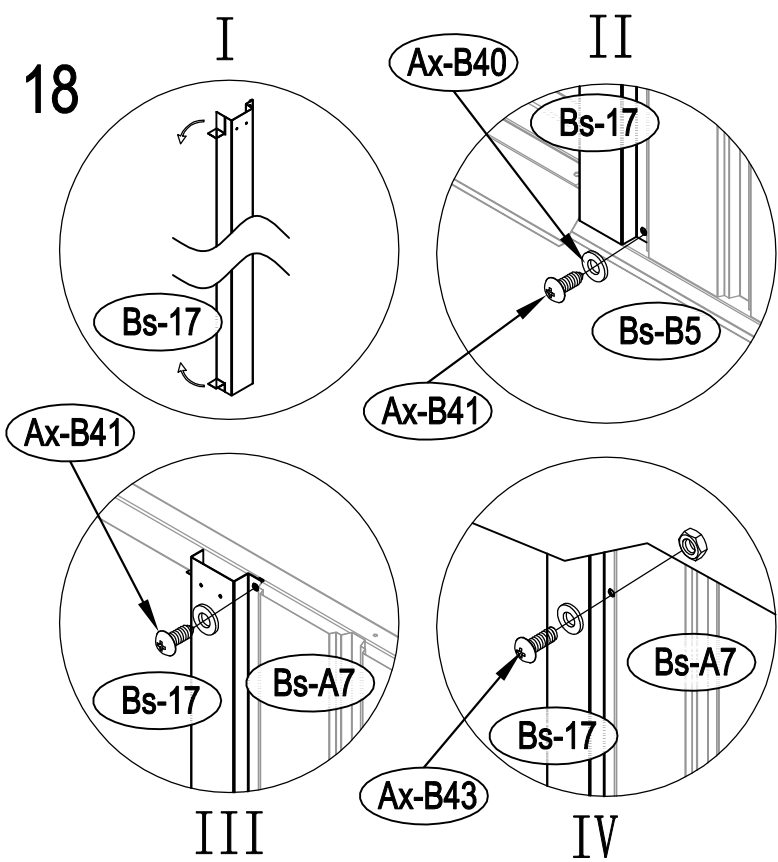


17



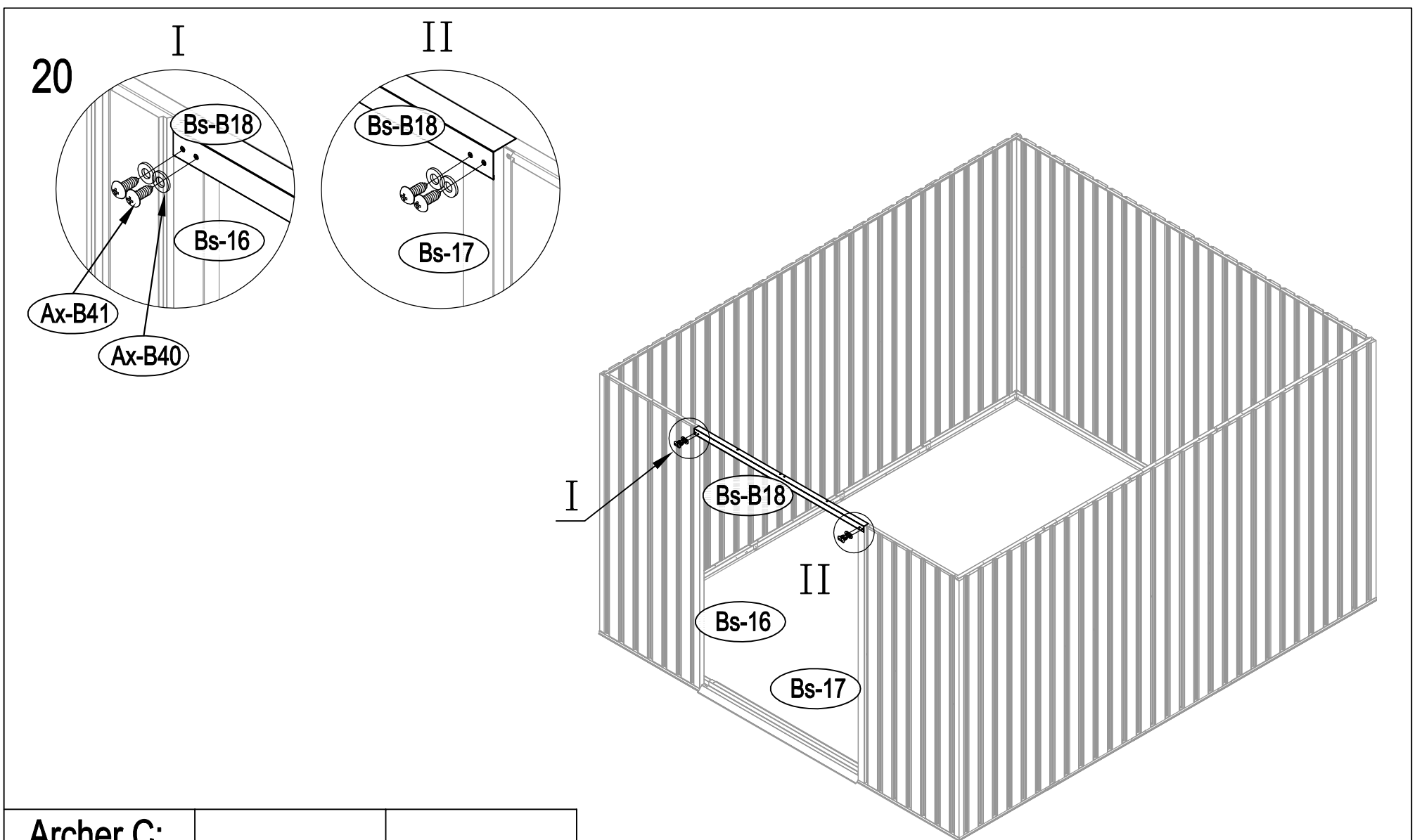
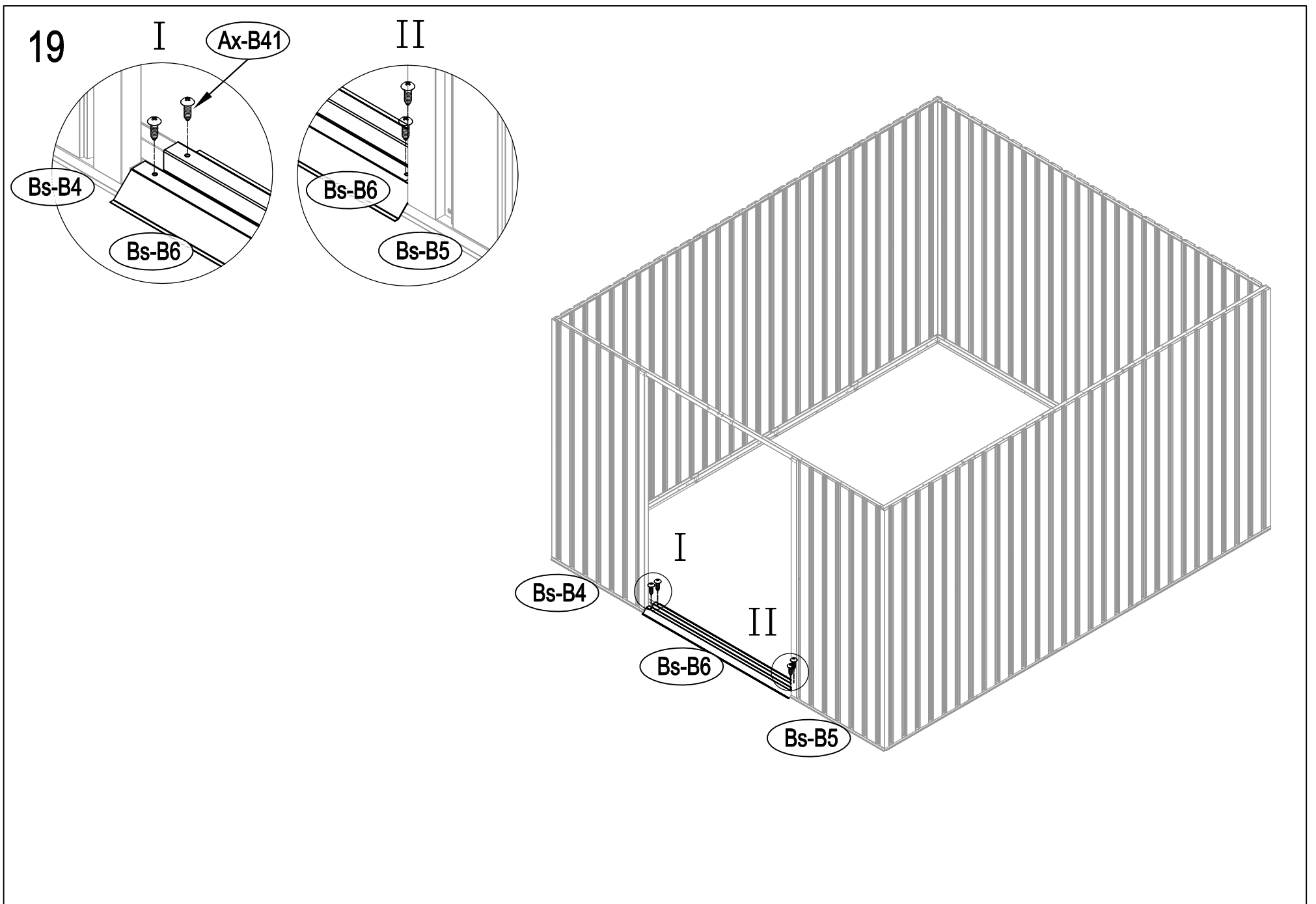
Archer C:		
Archer D:	Bs-16 (1)	⌋
Archer E:		

18



Archer C:		
Archer D:	Bs-17 (1)	⌋
Archer E:		

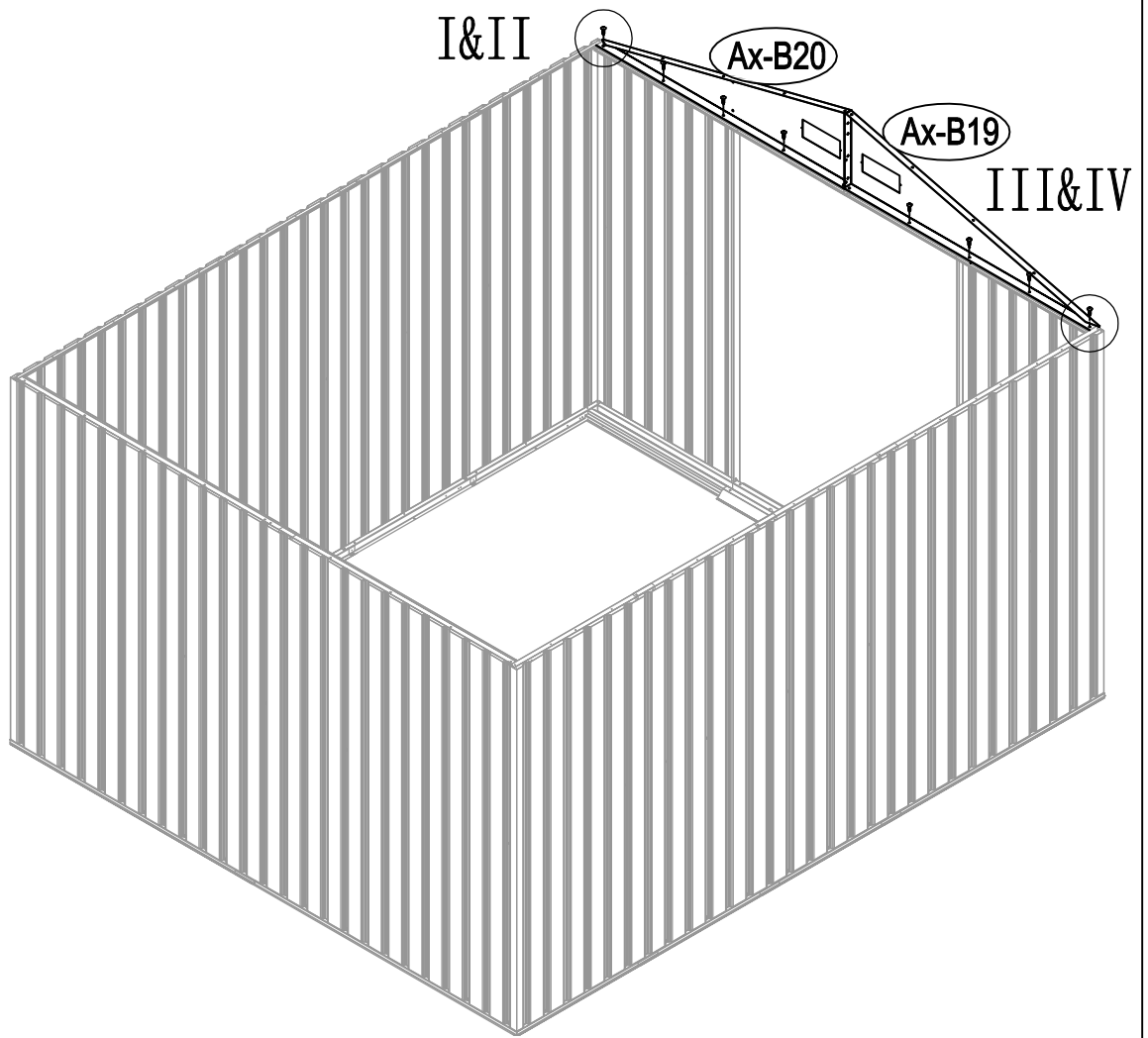
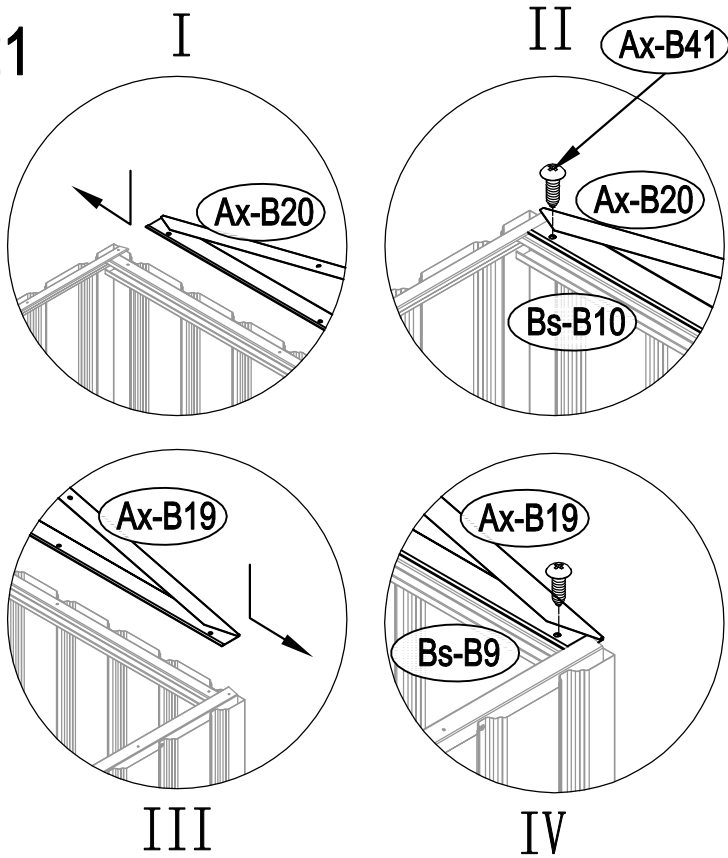




Archer C:		
Archer D:	Bs-B18 (1)	└
Archer E:		

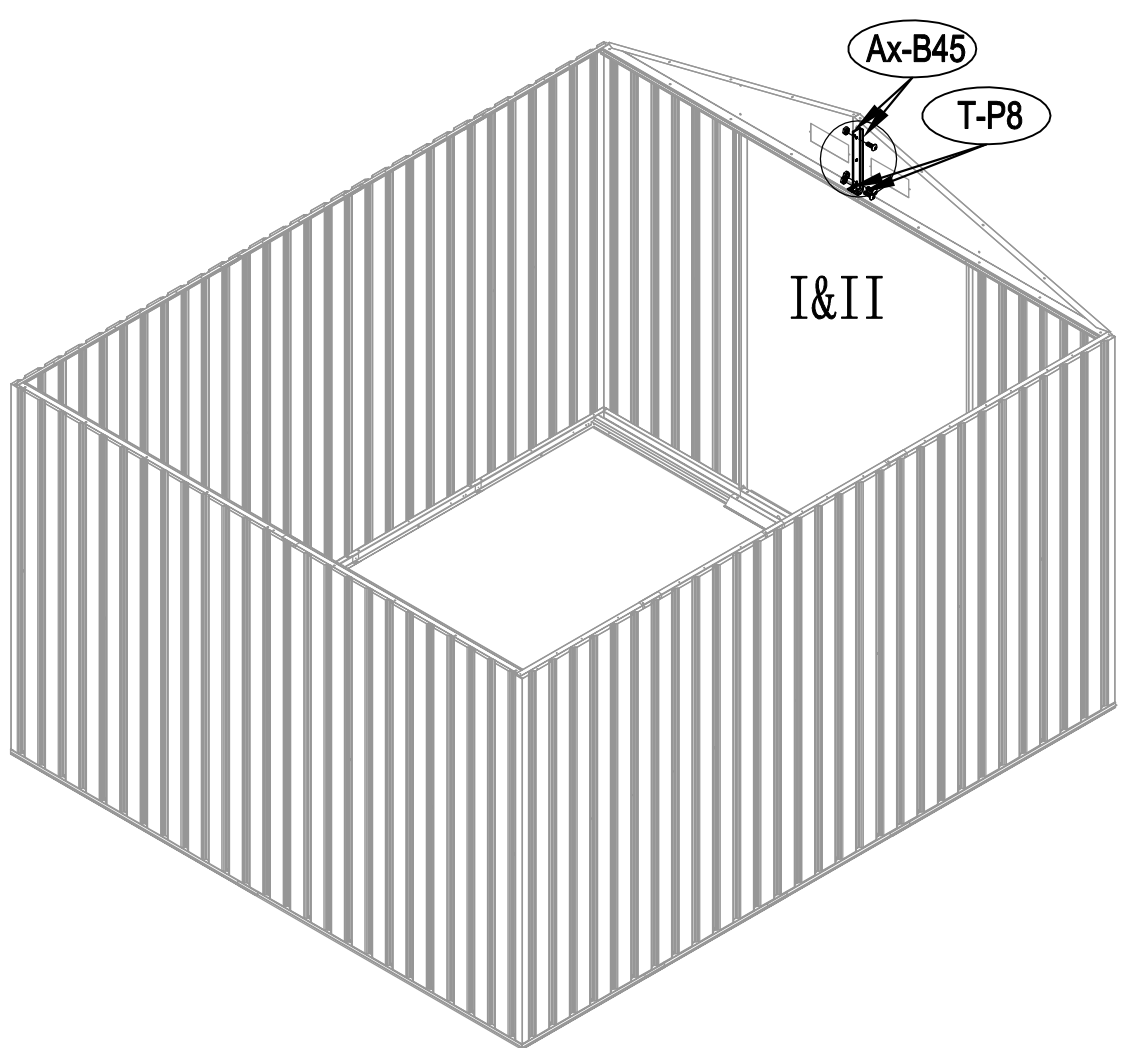
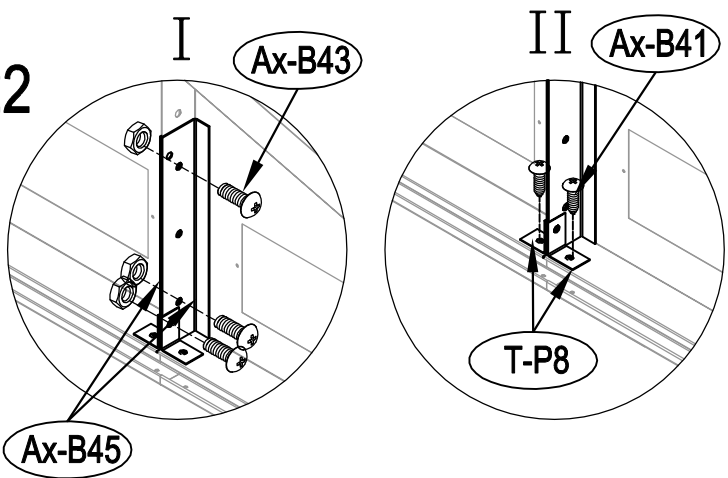


21



Archer C:			
Archer D:	Ax-B19 (1)	Ax-B20 (1)	
Archer E:			

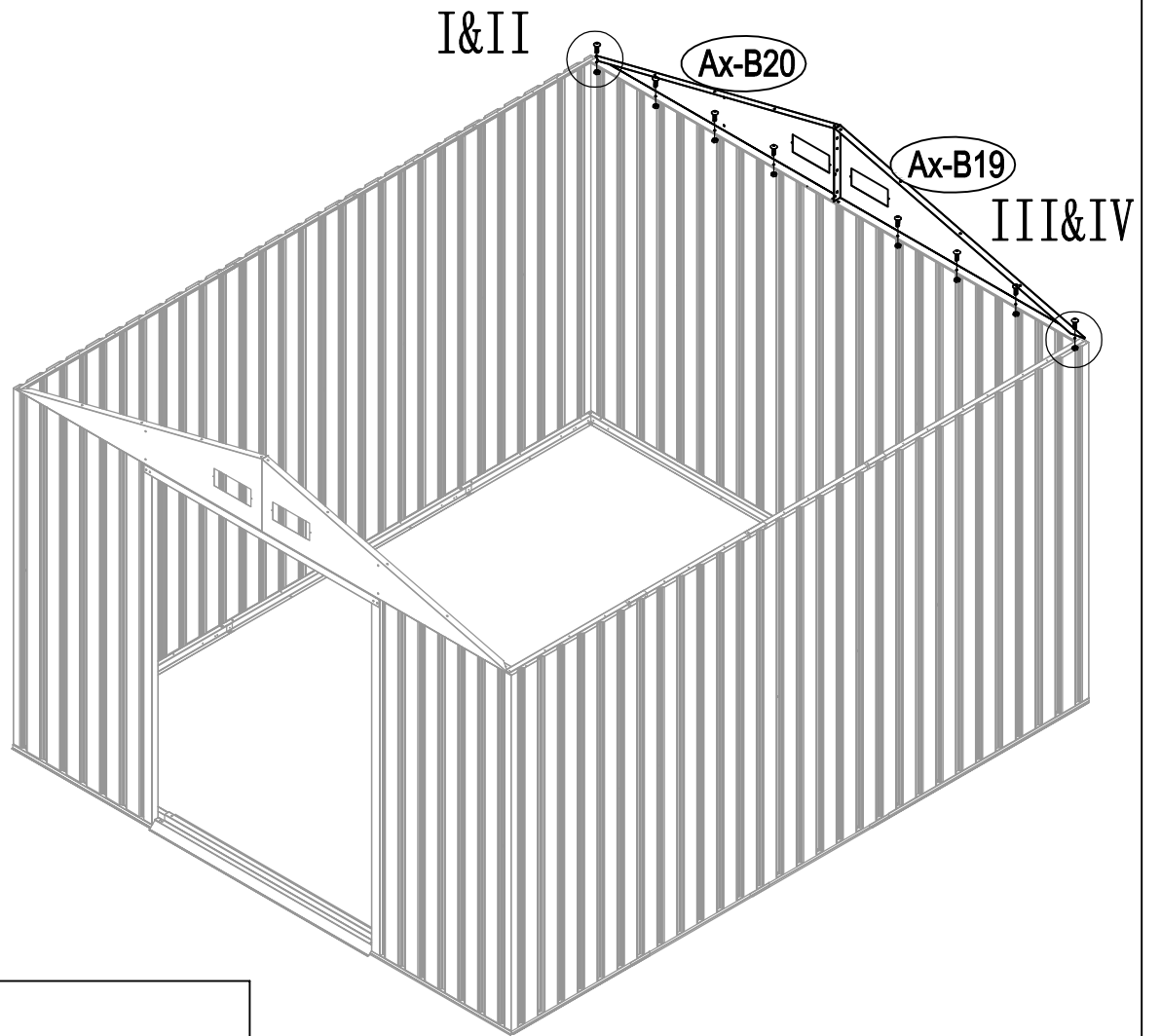
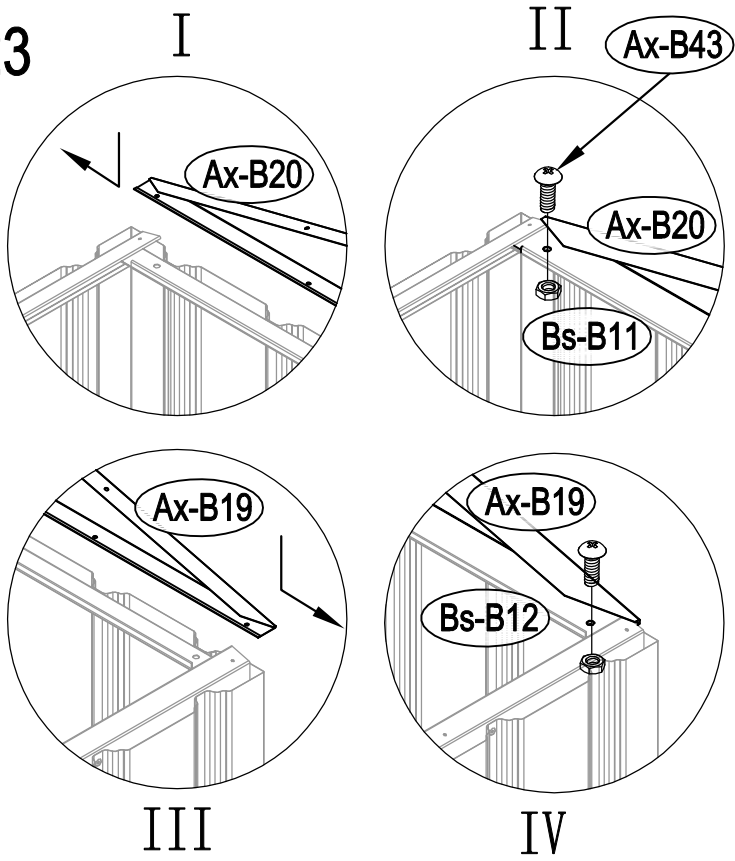
22

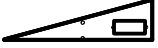


Archer C:			
Archer D:	Ax-B45 (2)	T-P8 (2)	
Archer E:			

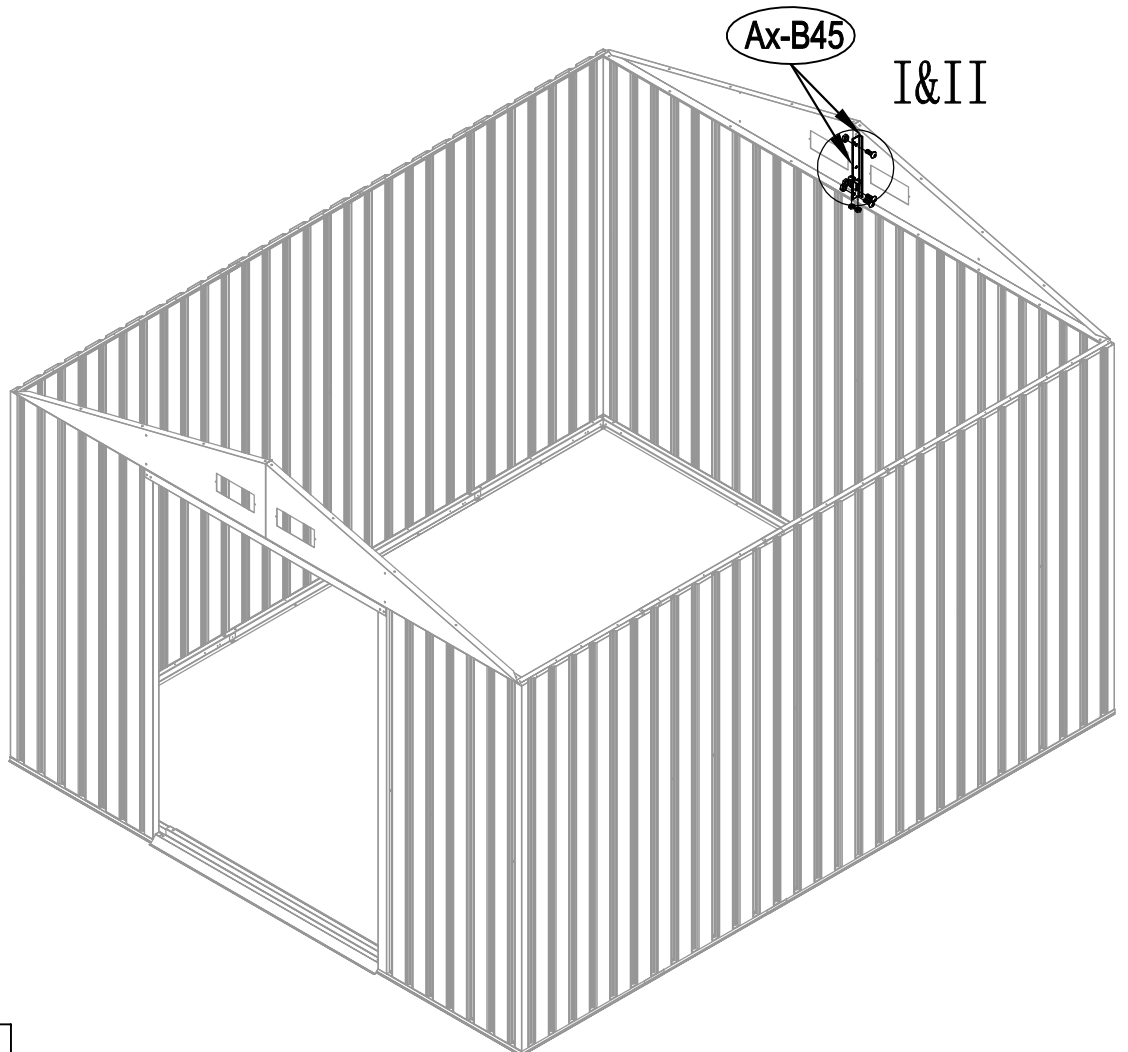
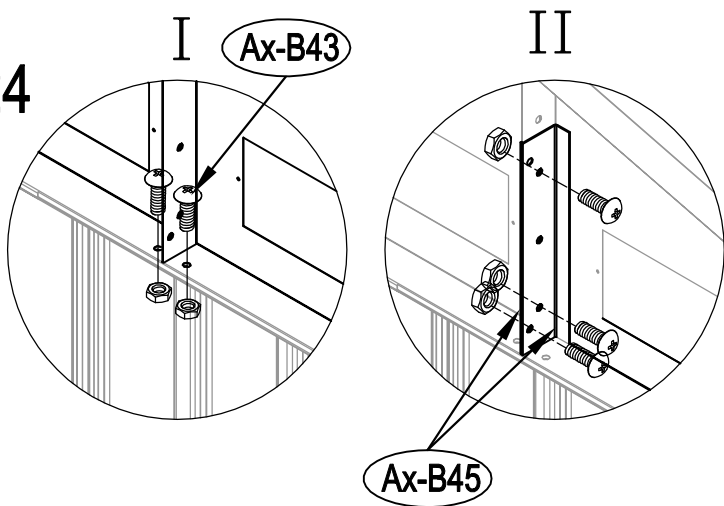



23



Archer C:			
Archer D:	Ax-B19 (1)	Ax-B20 (1)	
Archer E:			

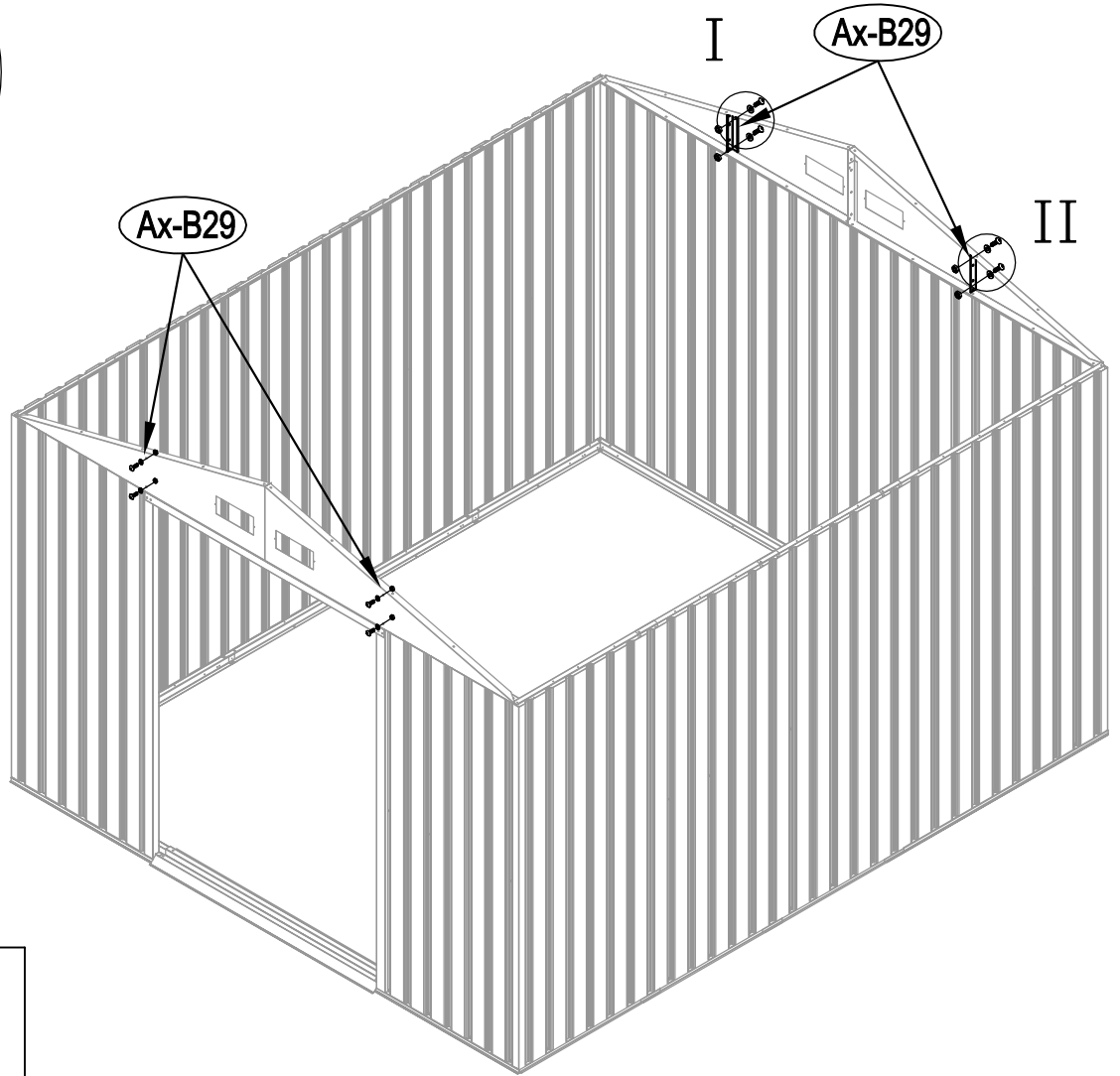
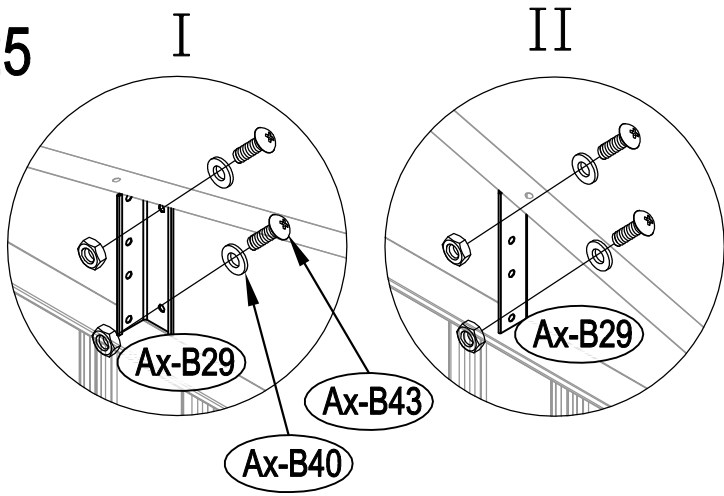
24

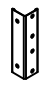


Archer C:		
Archer D:	Ax-B45 (2)	
Archer E:		

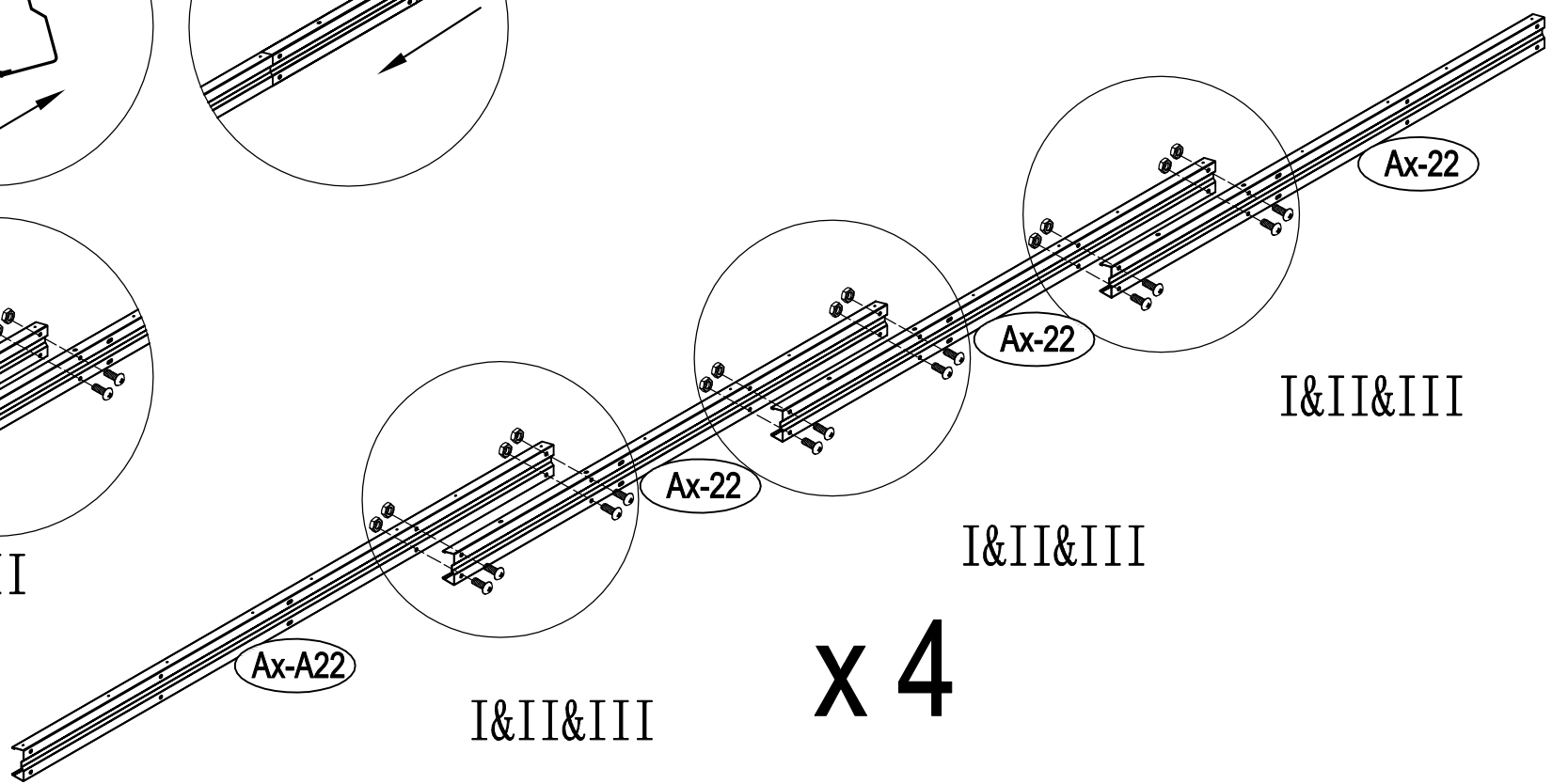
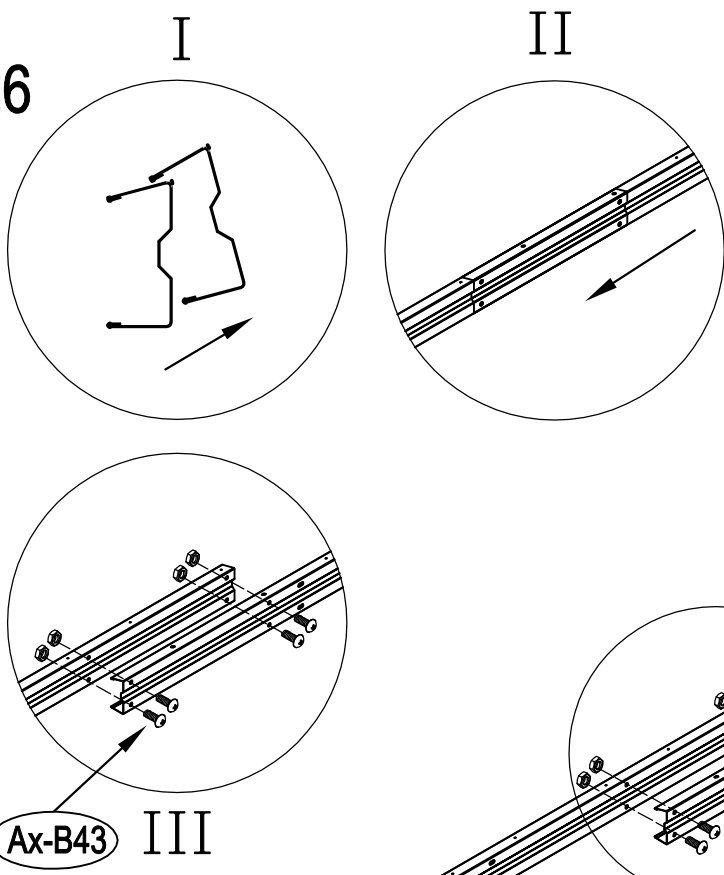



25



Archer C:		
Archer D:	Ax-B29 (4)	
Archer E:		

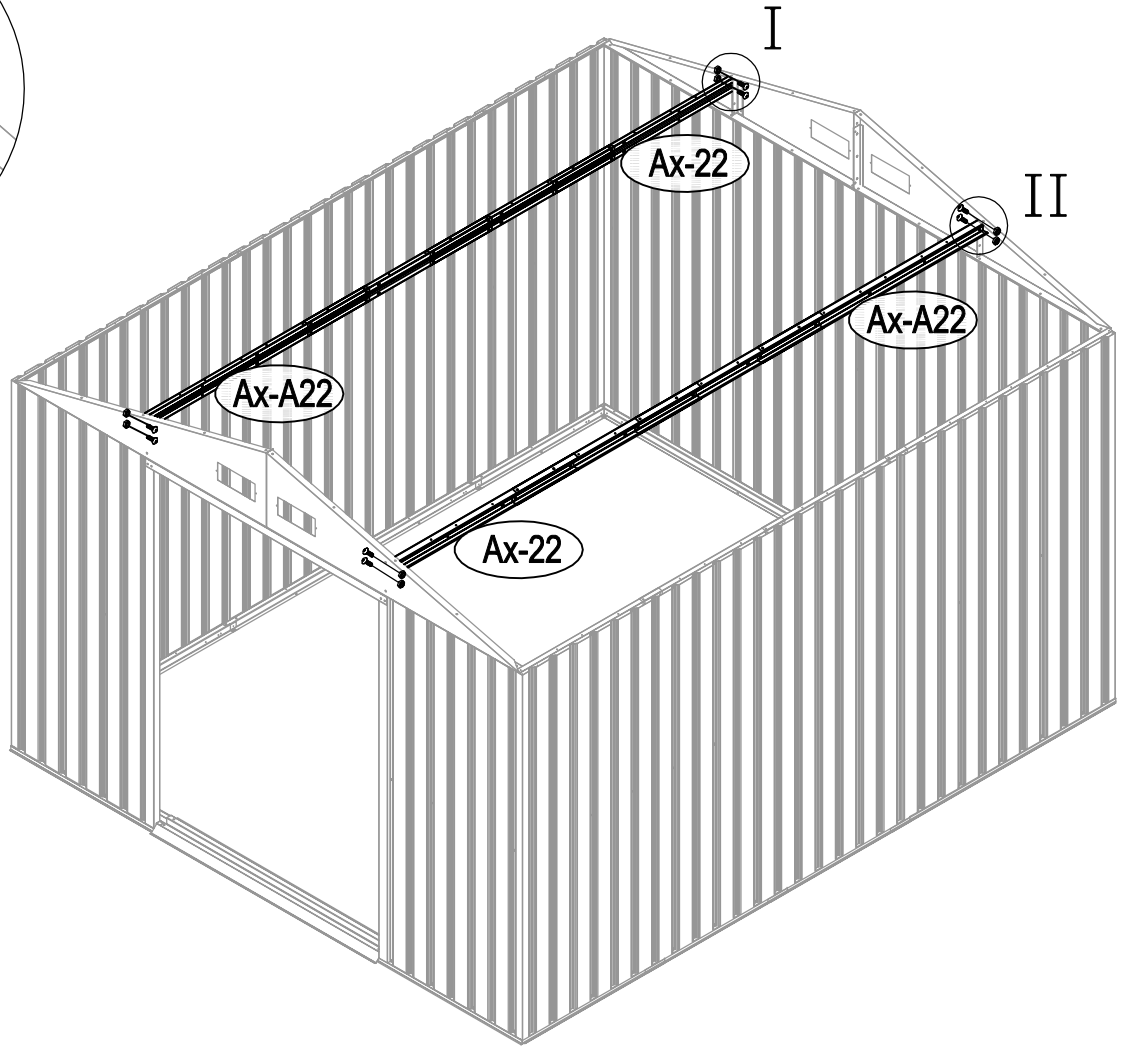
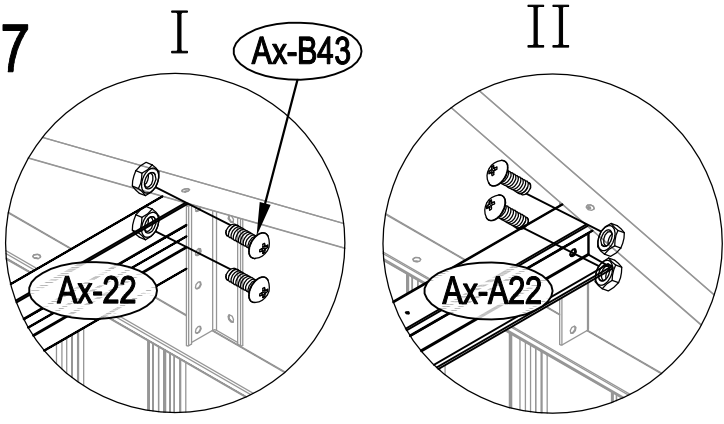
26



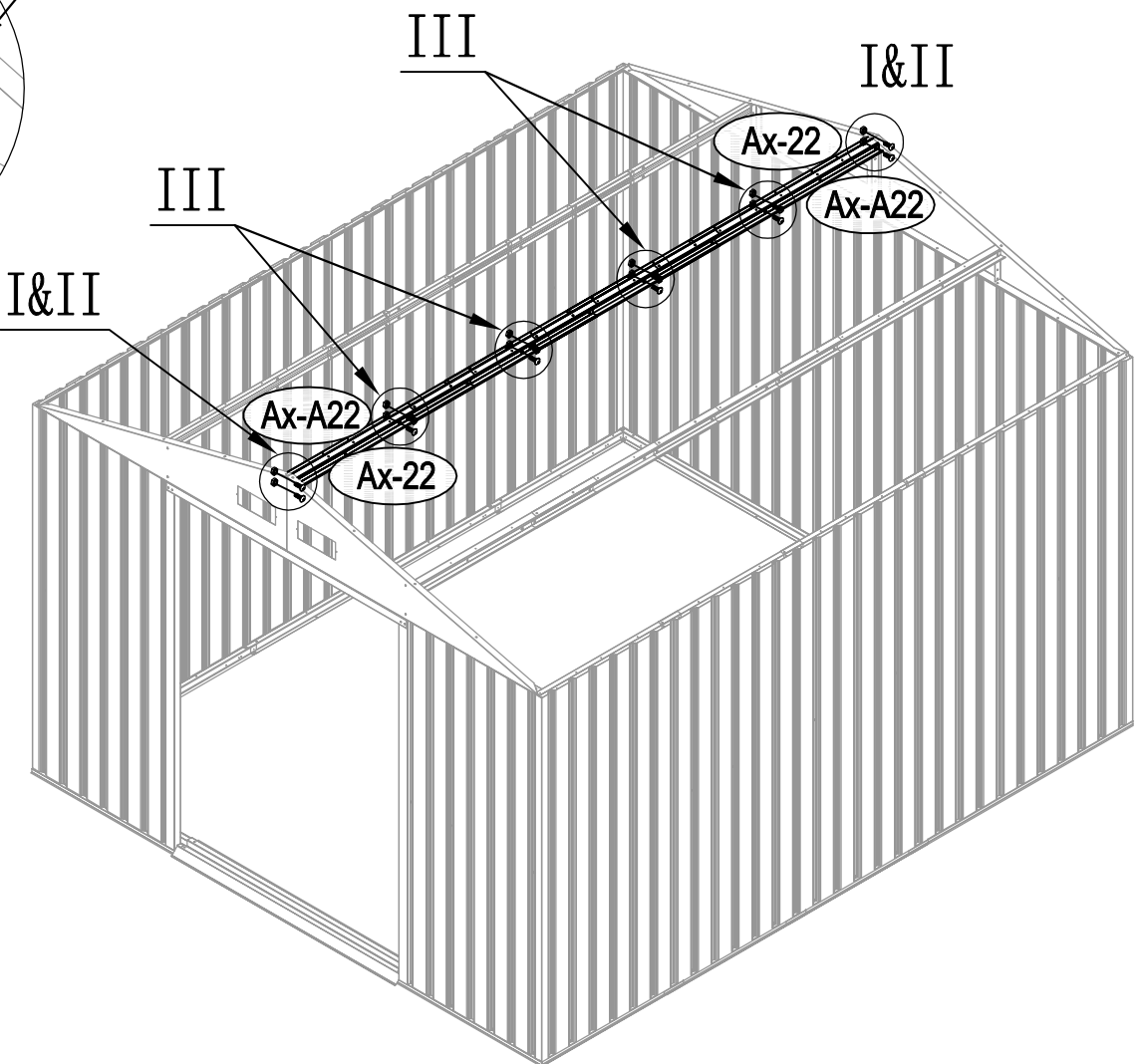
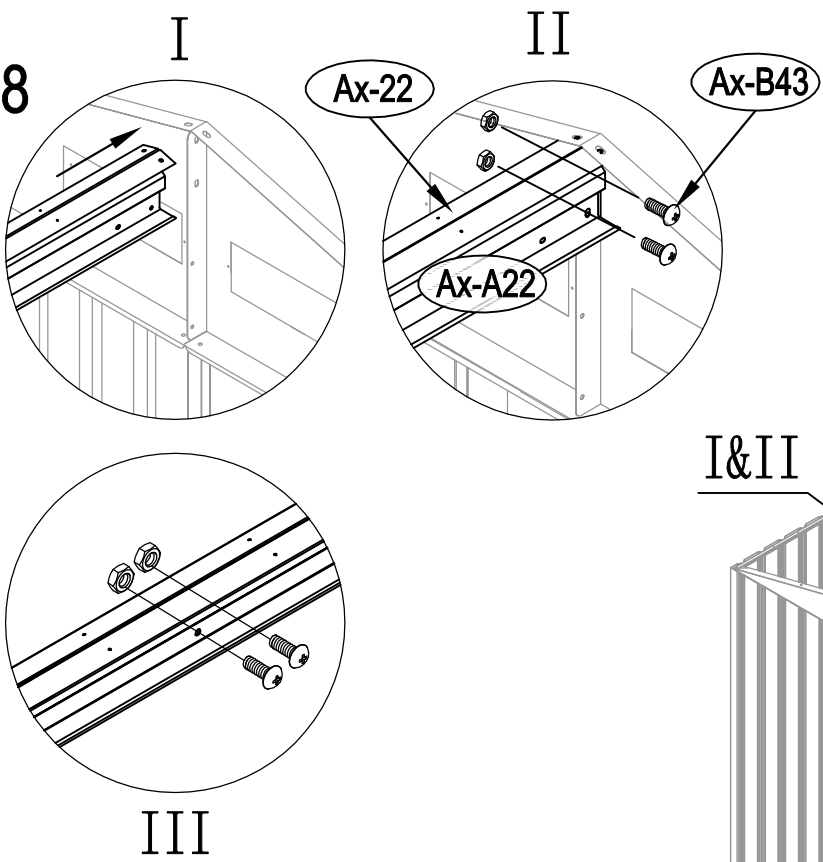
Archer C:		Ax-22 (1)	
Archer D:	Ax-A22 (1)	Ax-22 (2)	
Archer E:		Ax-22 (3)	



27

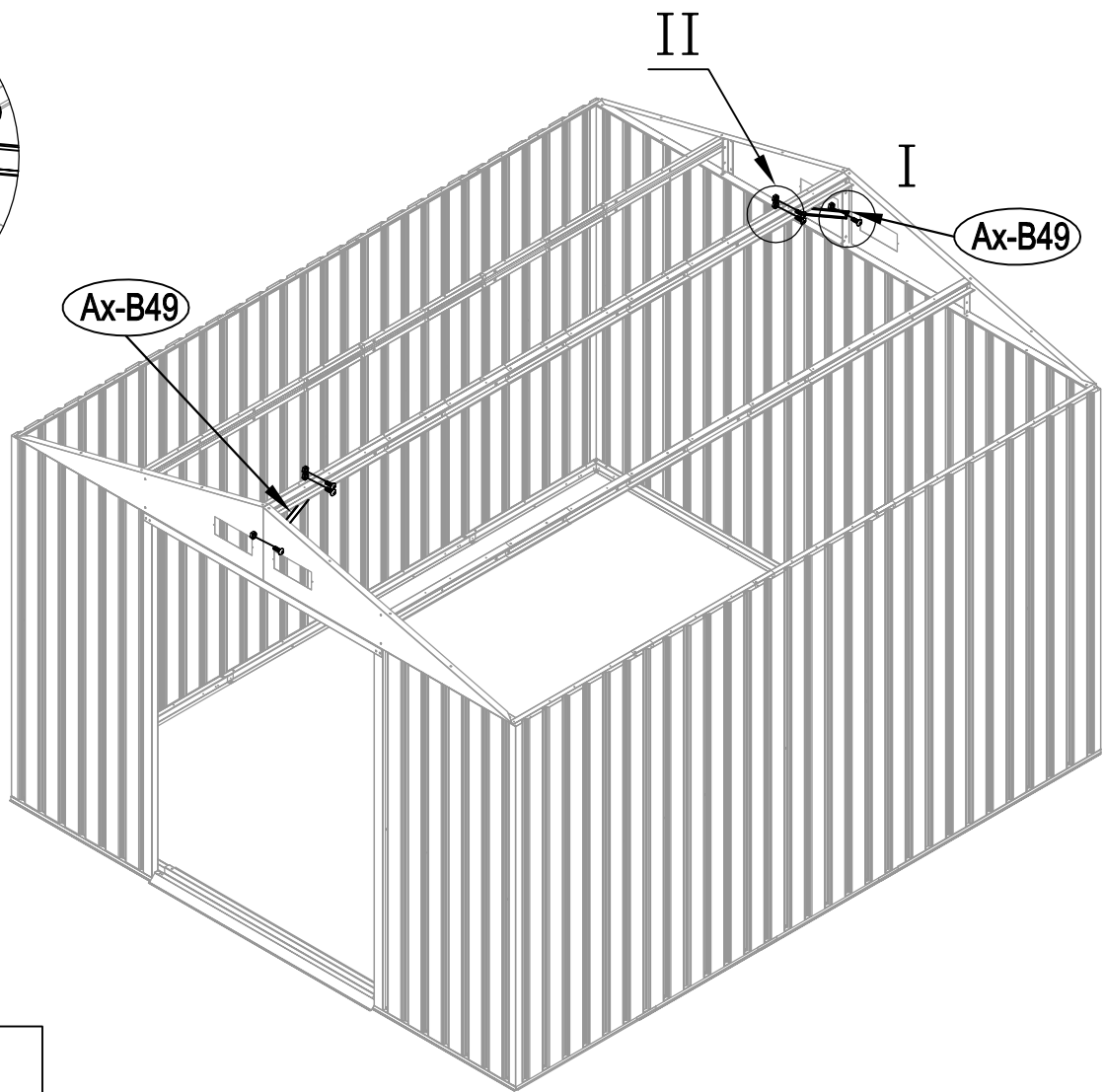
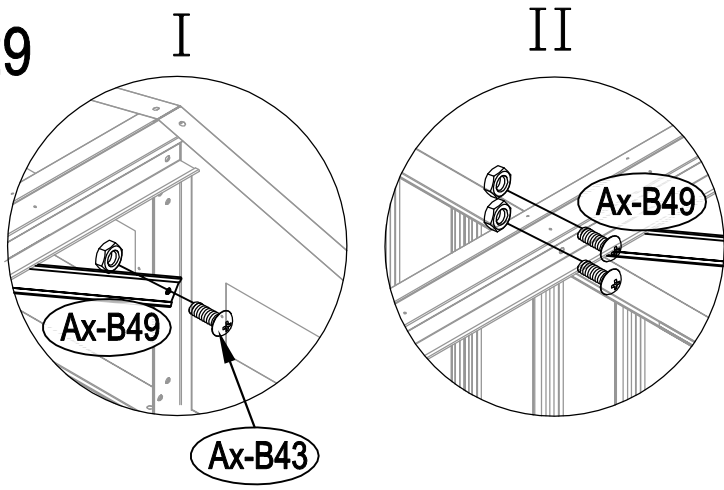


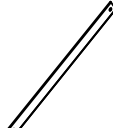
28



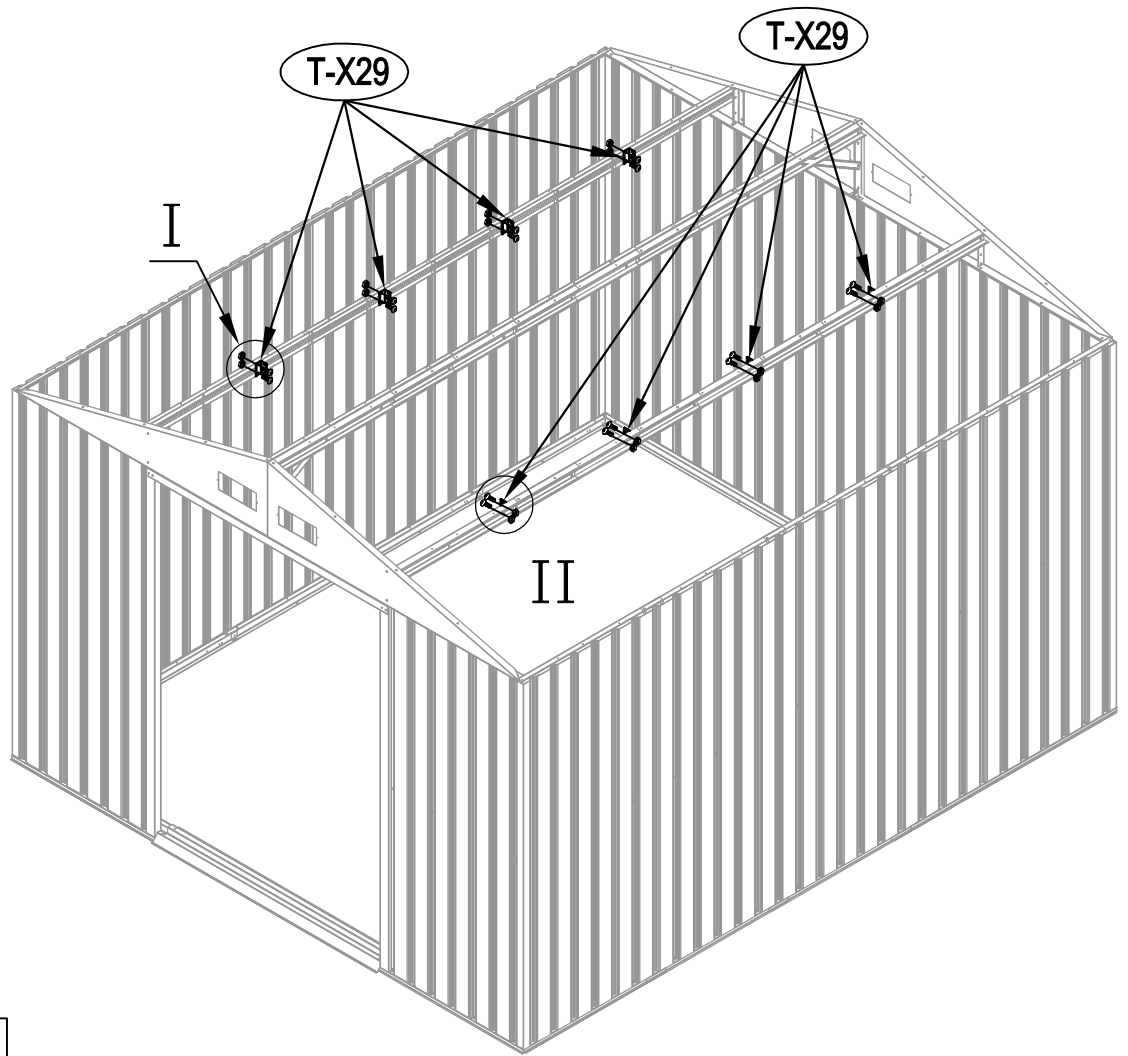
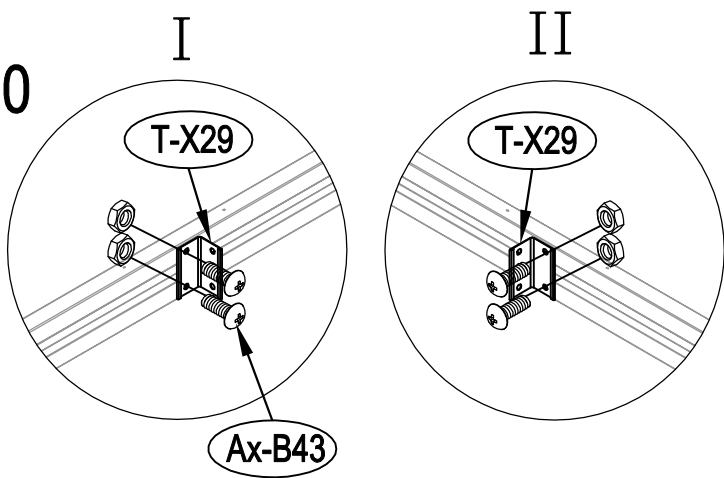



29



Archer C:		
Archer D:	Ax-B49 (2)	
Archer E:		

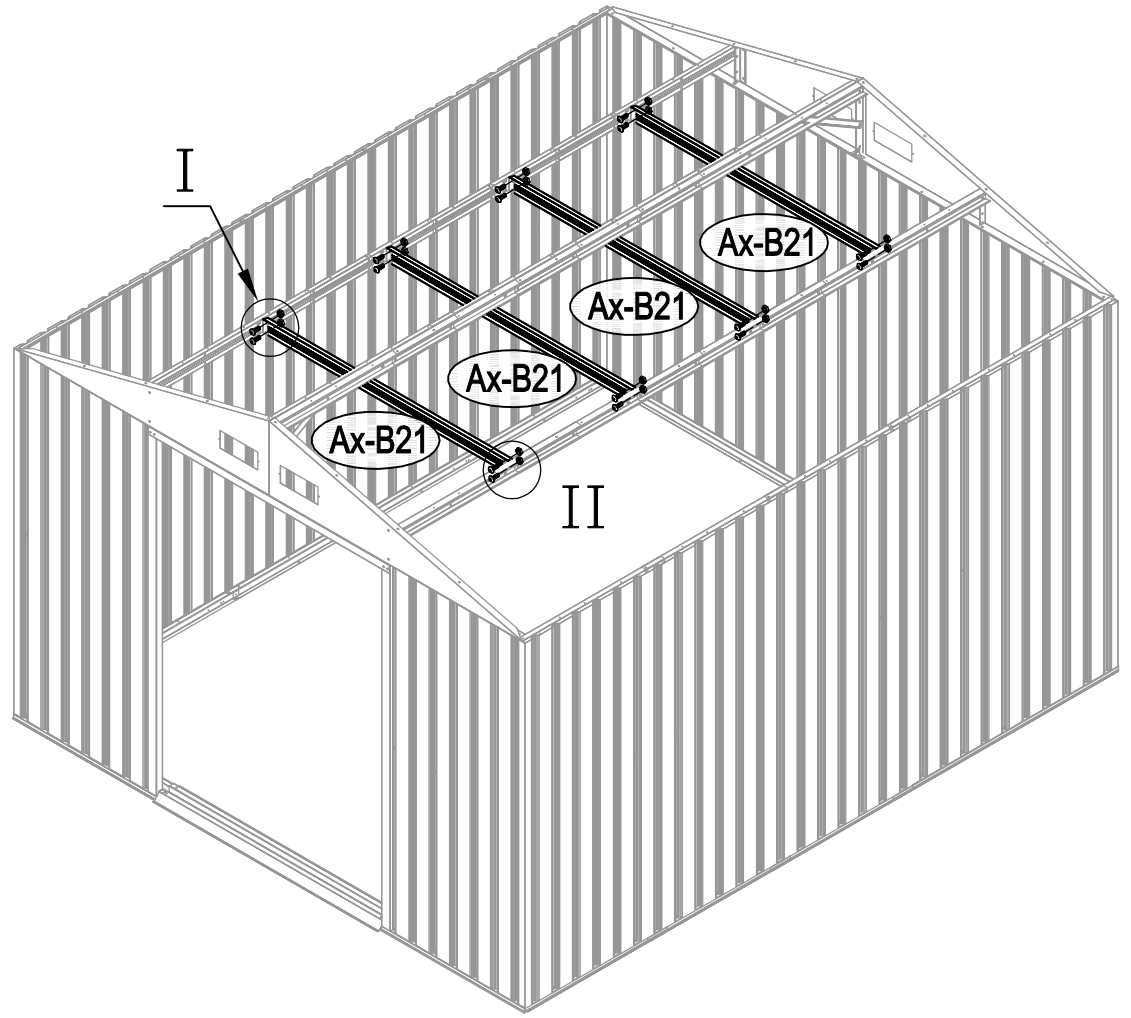
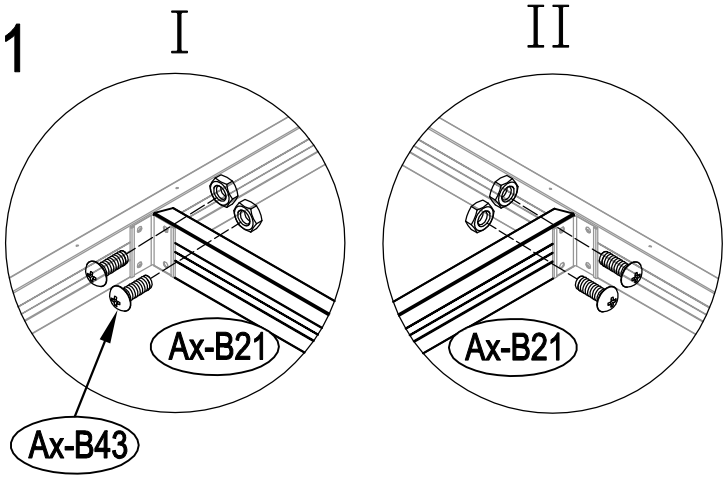
30



Archer C:	T-X29 (4)	
Archer D:	T-X29 (6)	
Archer E:	T-X29 (8)	

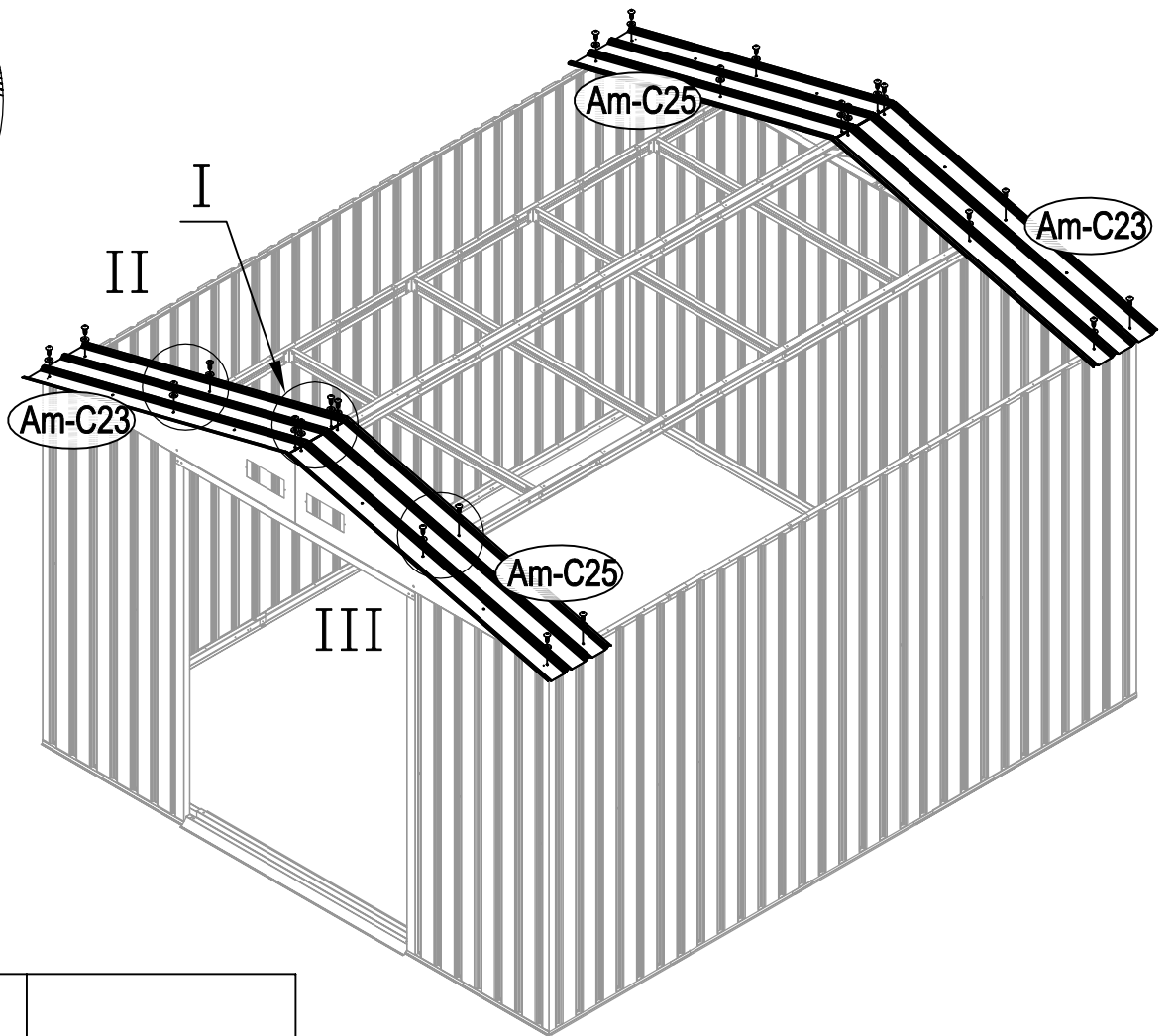
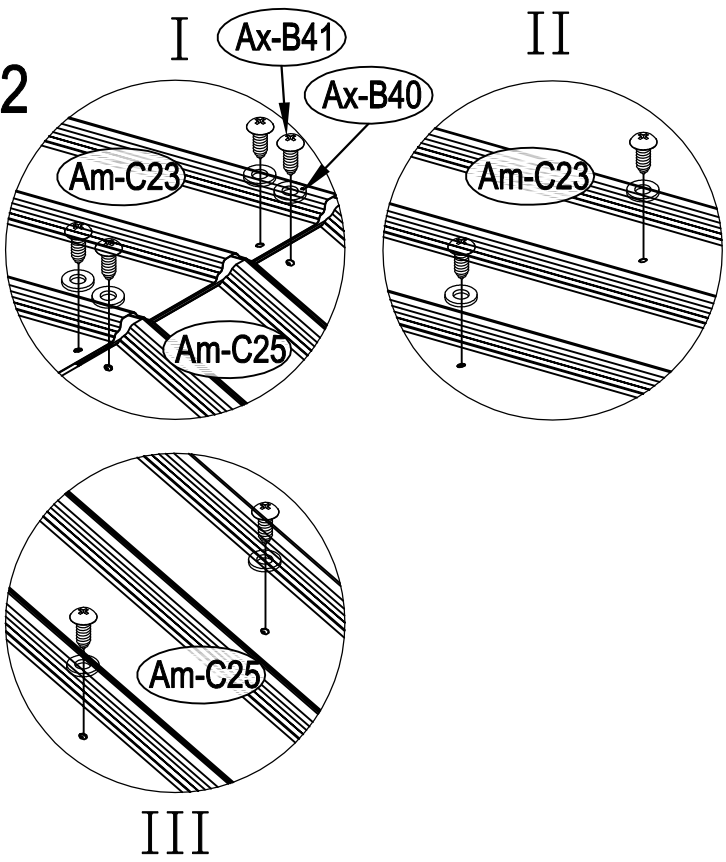


31



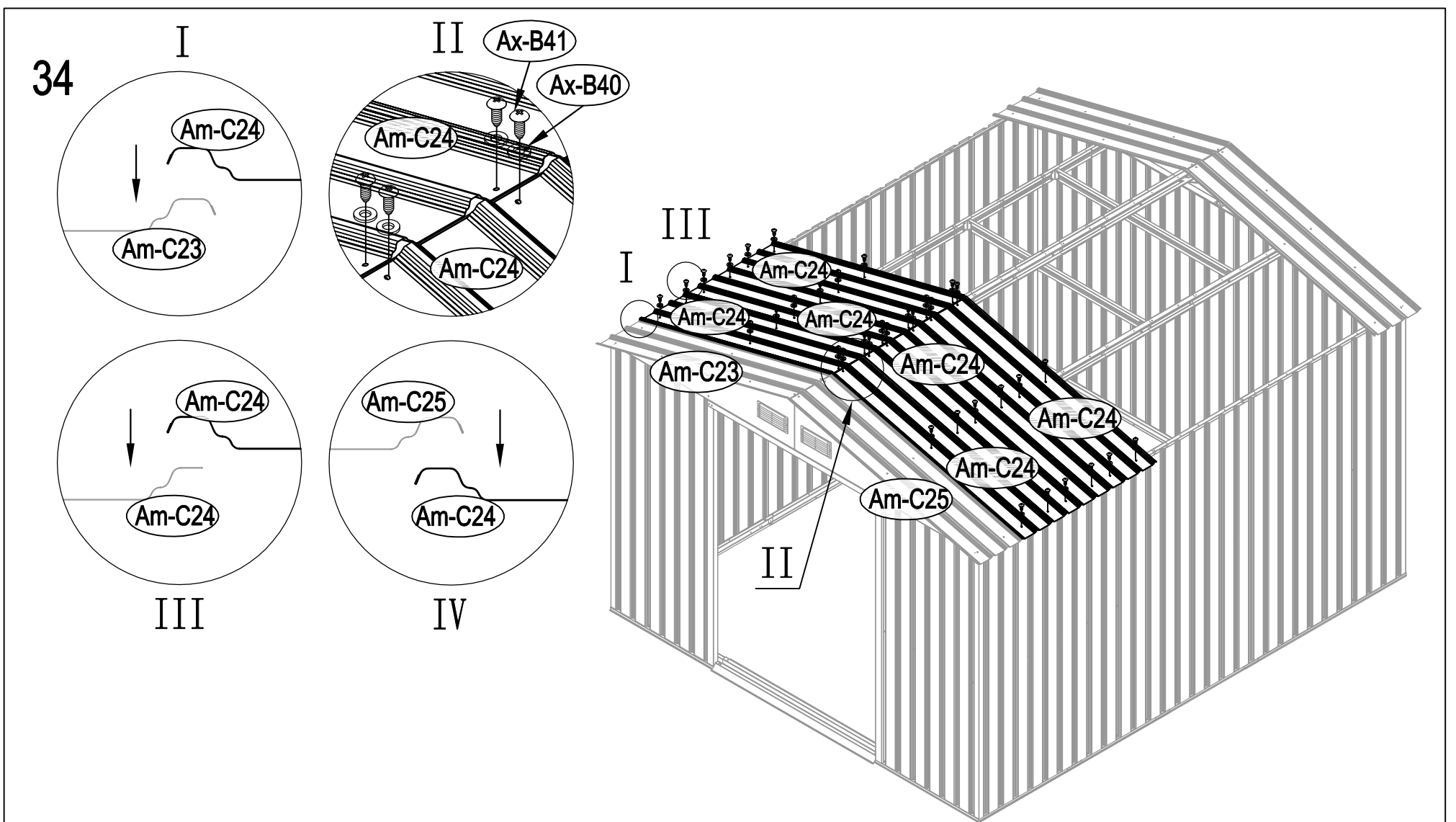
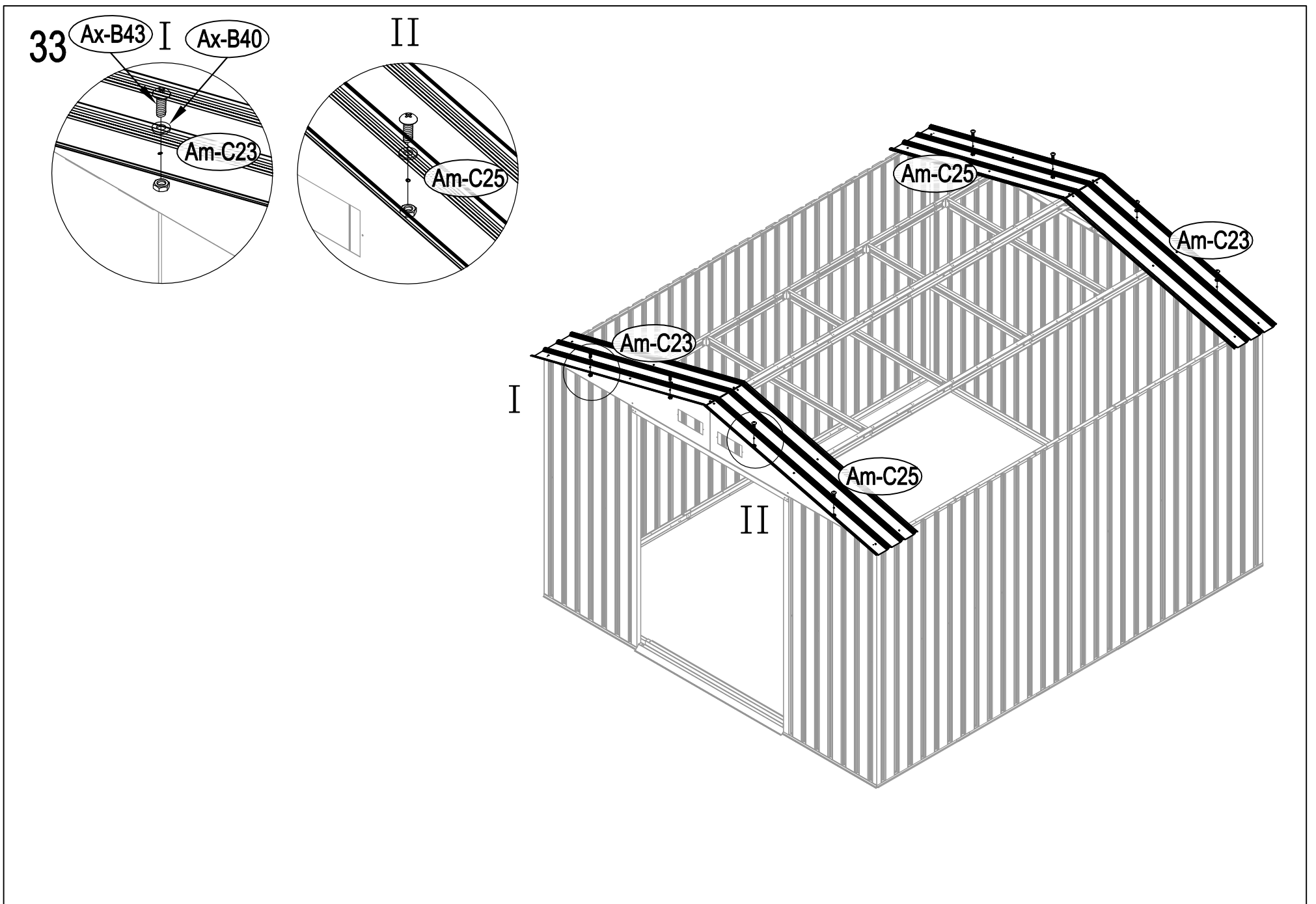
Archer C:	Ax-B21 (2)	}
Archer D:	Ax-B21 (3)	
Archer E:	Ax-B21 (4)	


32



Archer C:			~
Archer D:	Am-C23 (2)	Am-C25 (2)	
Archer E:			

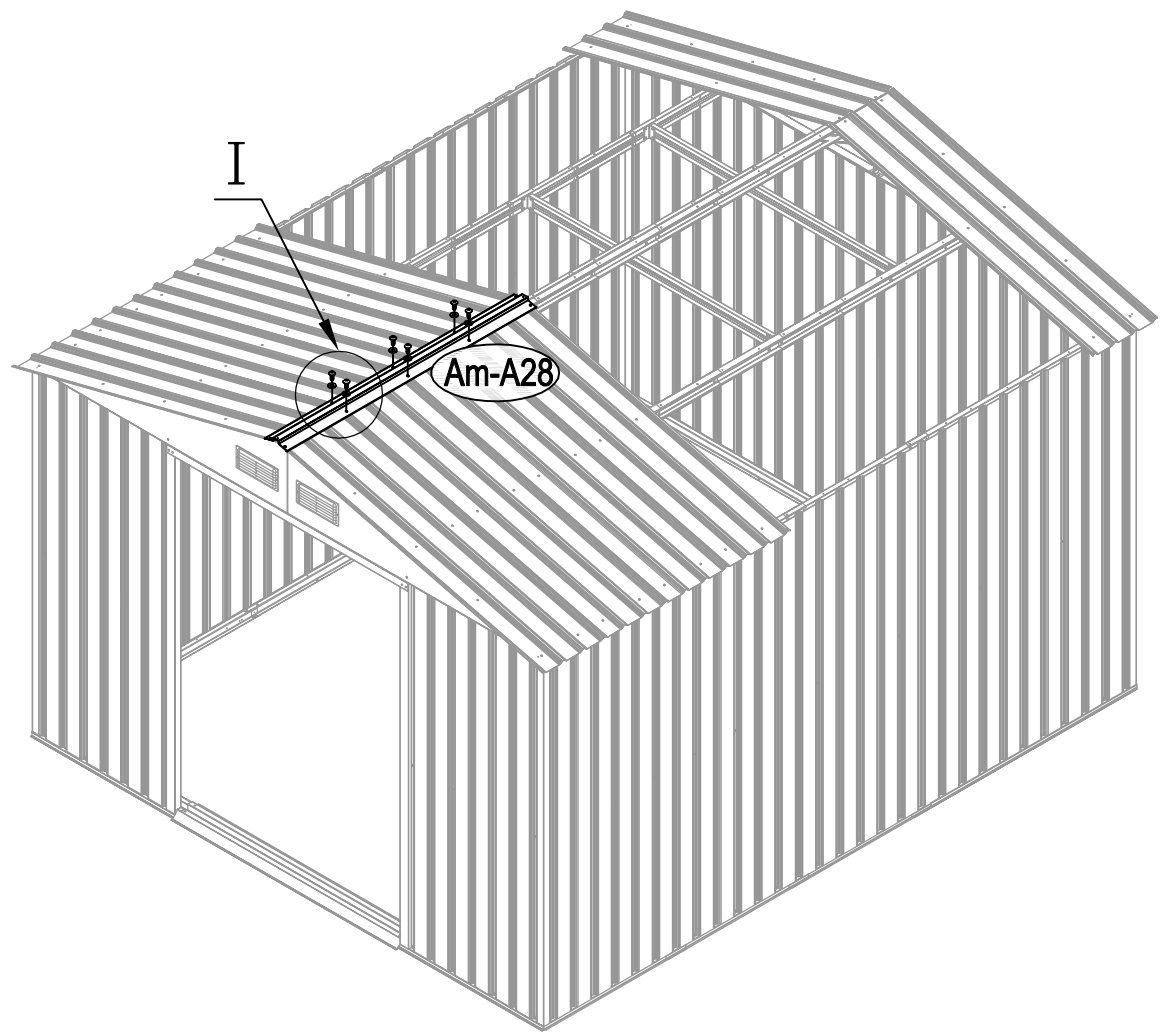
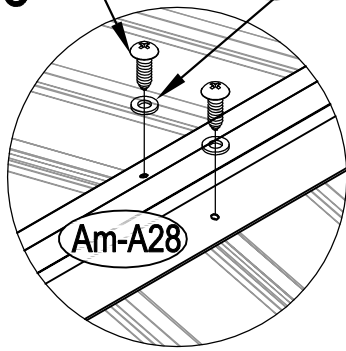




Archer C:		
Archer D:	Am-C24 (6)	
Archer E:		

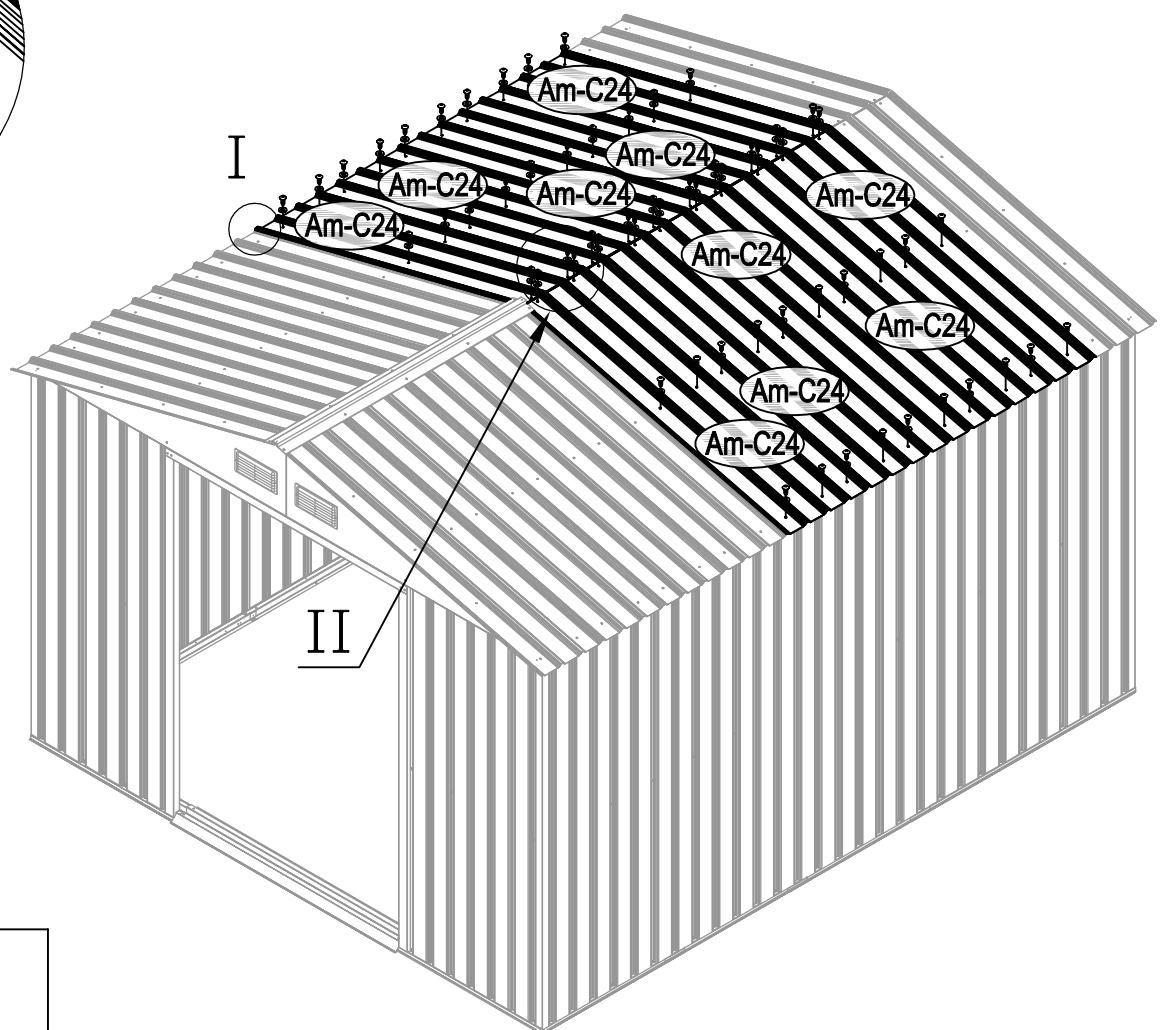
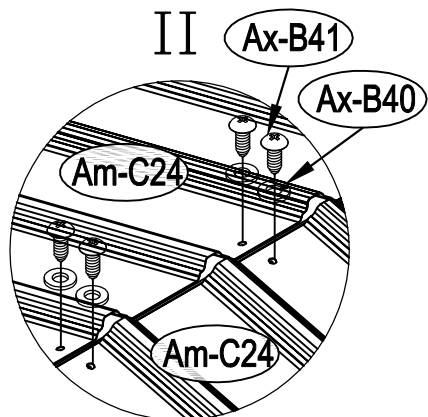
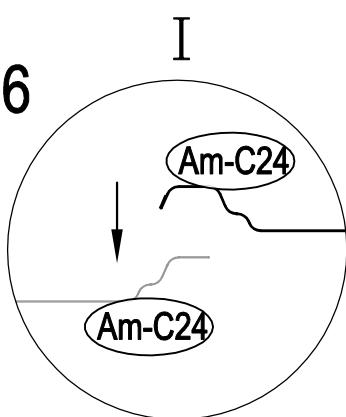


35 Ax-B41 I Ax-B40



Archer C:		
Archer D:	Am-A28 (1)	
Archer E:		

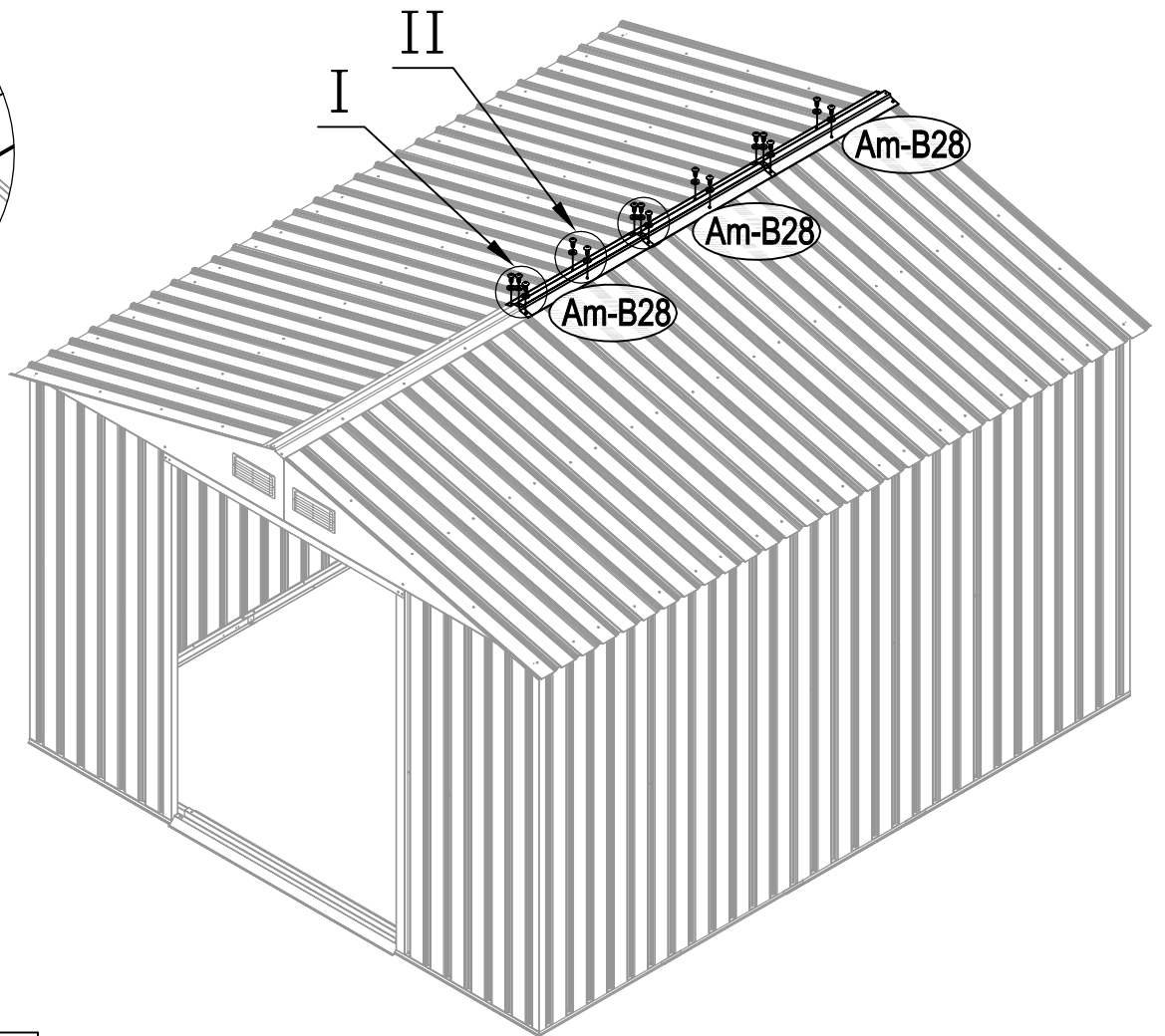
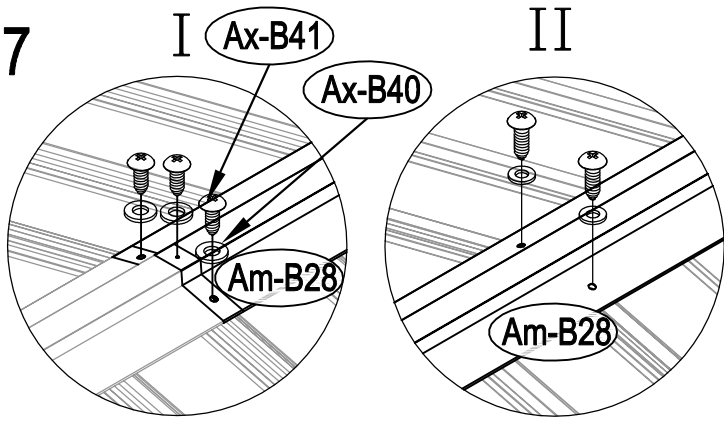
36



Archer C:	Am-C24 (2)	
Archer D:	Am-C24 (6)	
Archer E:	Am-C24 (10)	

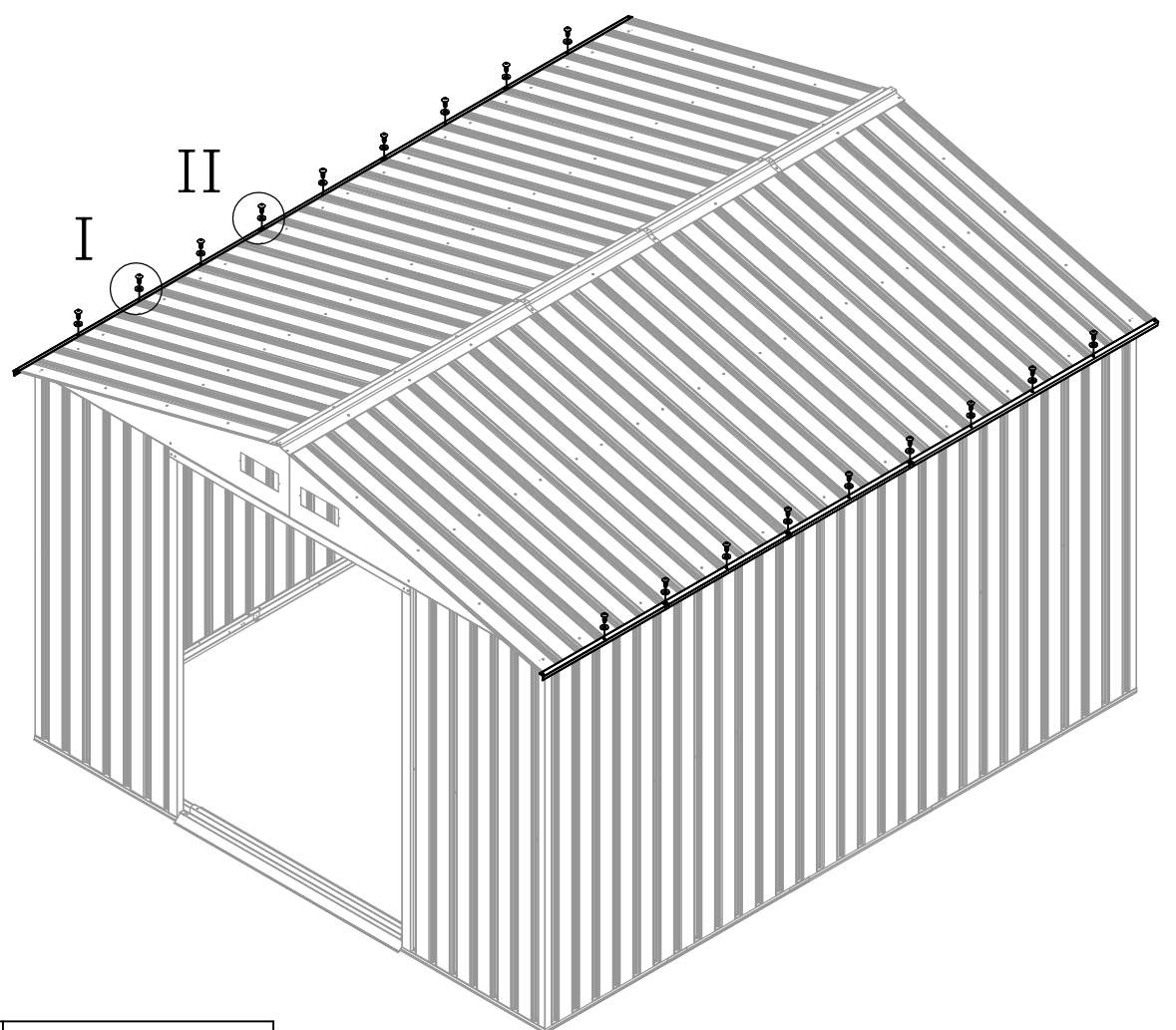
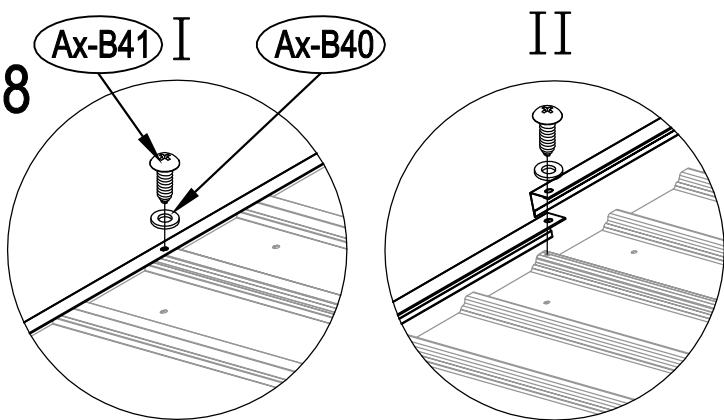


37



Archer C:	Am-B28 (1)	
Archer D:	Am-B28 (2)	
Archer E:	Am-B28 (3)	

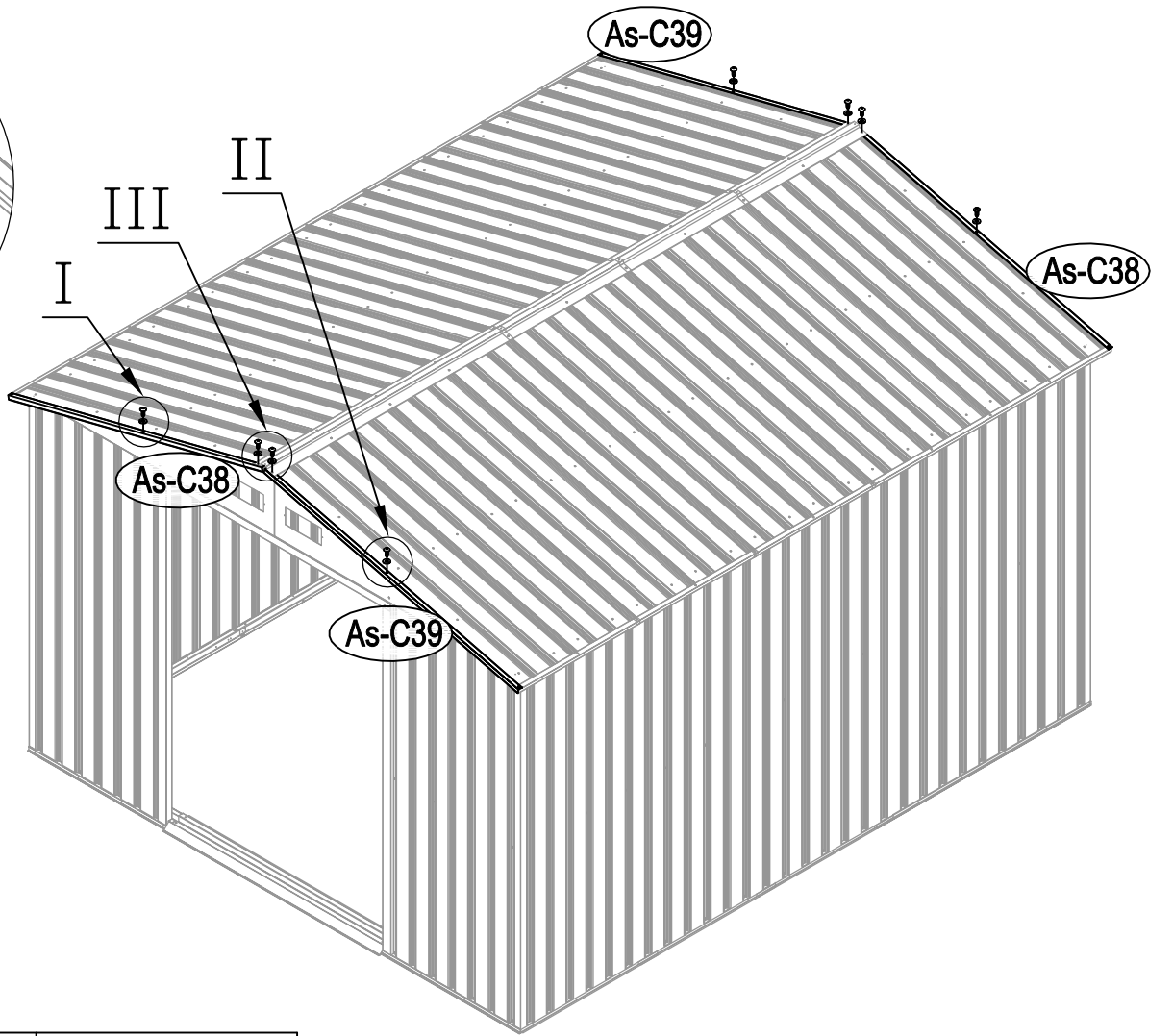
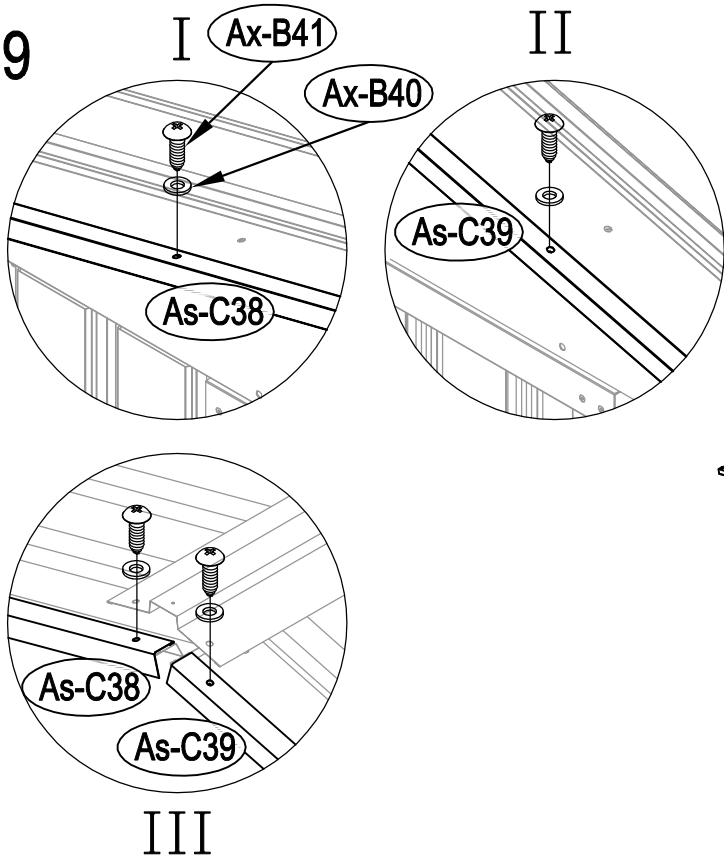
38




Archer C:	Am-26 (2)	Am-27 (2)	
Archer D:		Am-27 (4)	
Archer E:		Am-27 (6)	

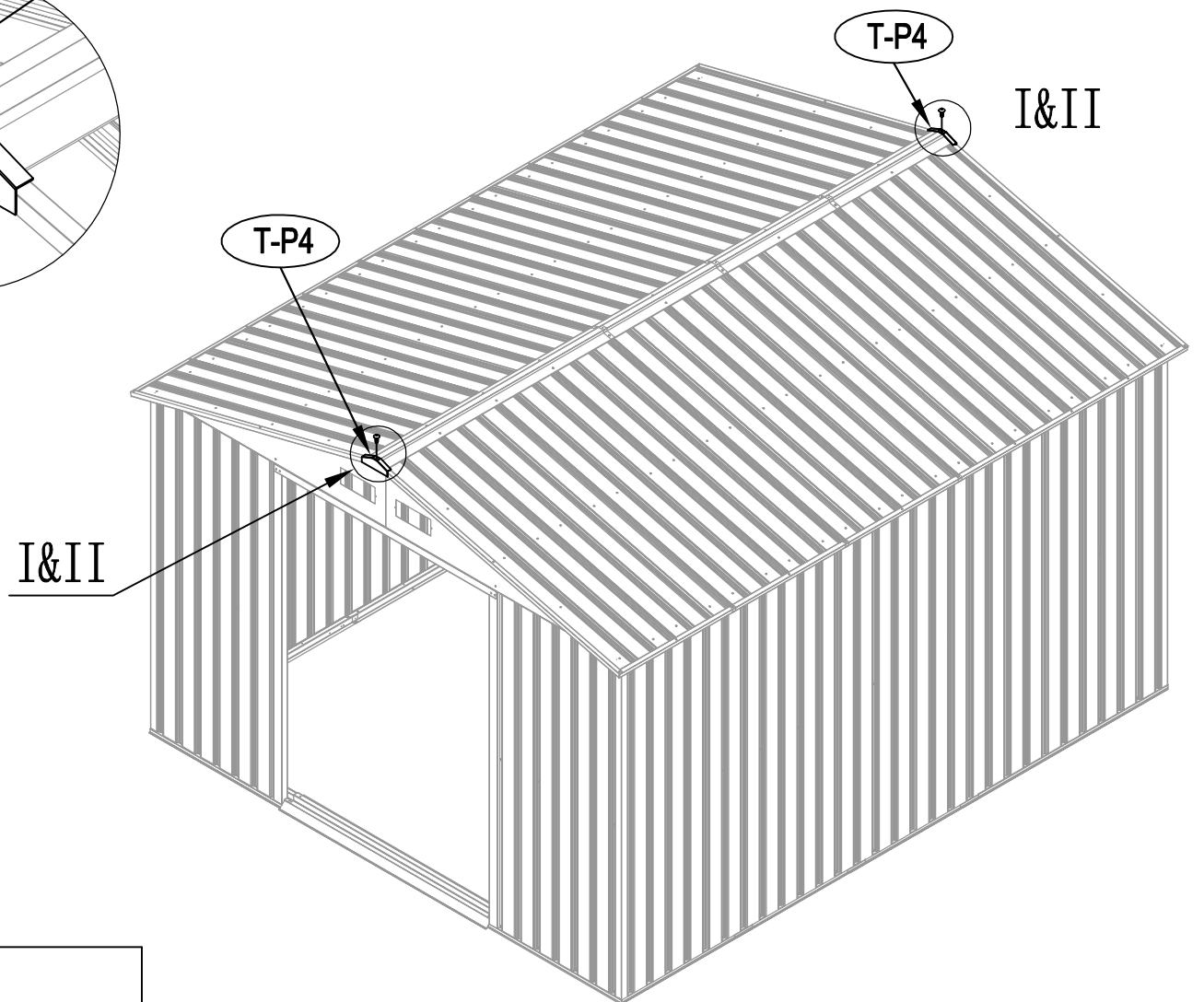
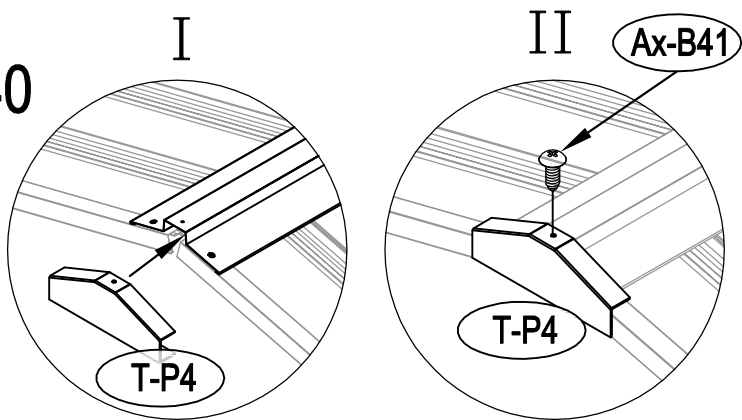


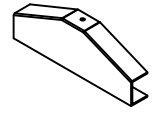
39



Archer C:			
Archer D:	As-C38 (2)	As-C39 (2)	
Archer E:			

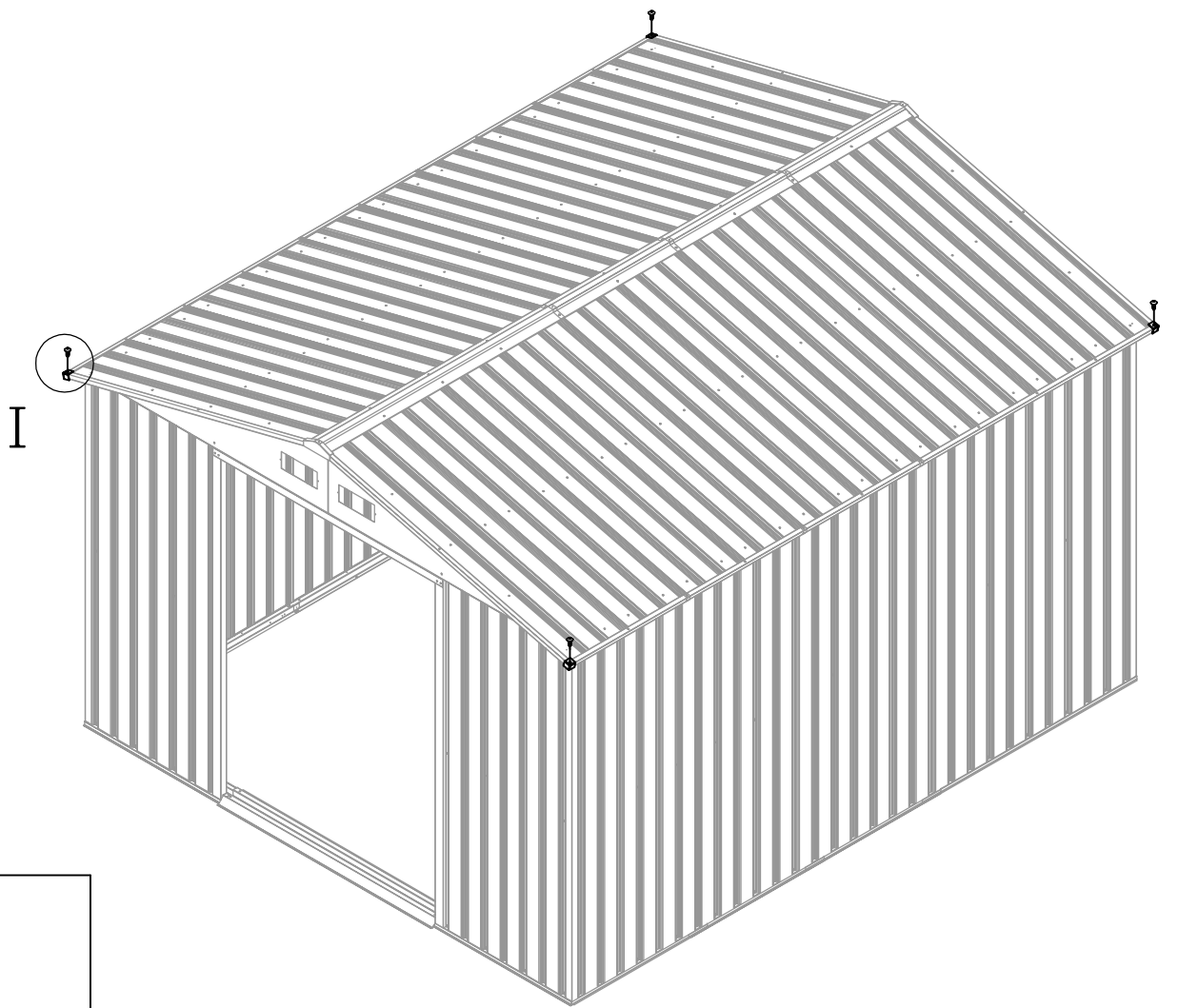
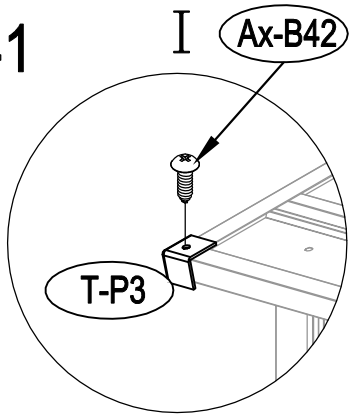
40



Archer C:		
Archer D:	T-P4 (2)	
Archer E:		

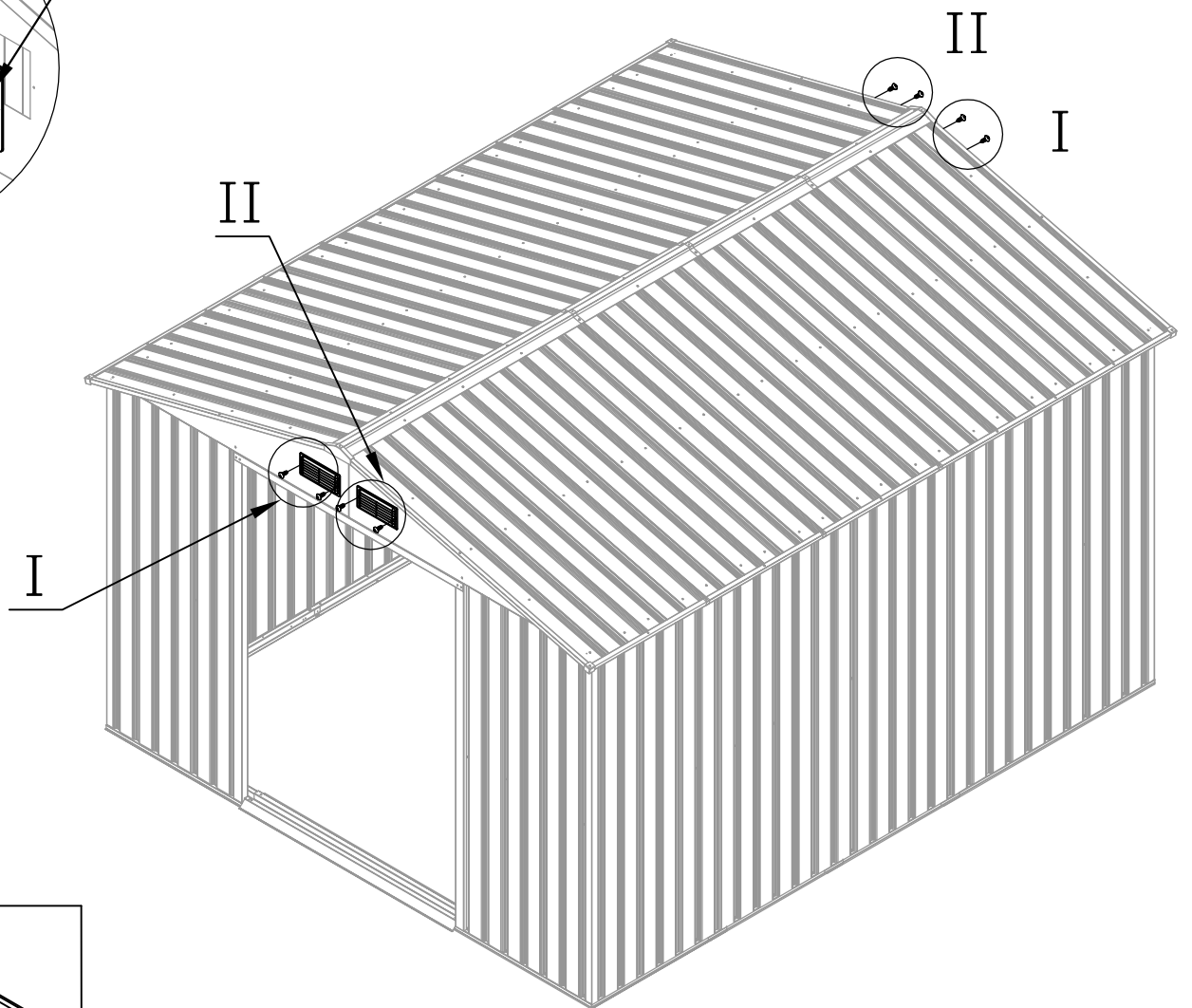
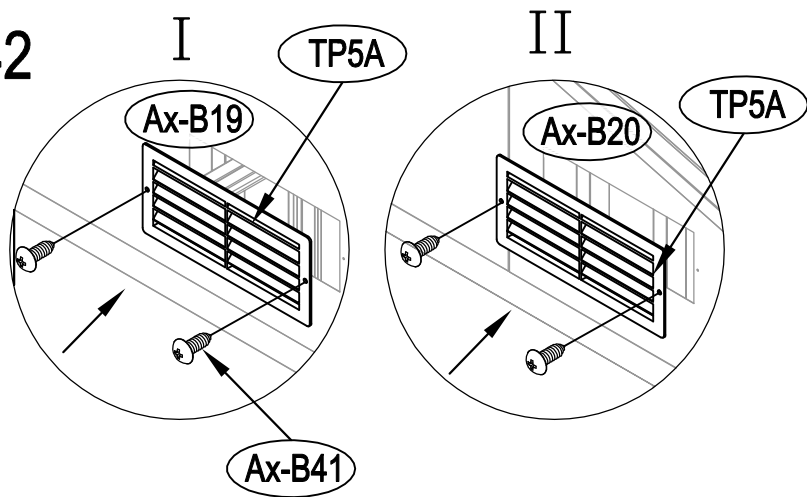


41



Archer C:		
Archer D:	T-P3 (4)	
Archer E:		

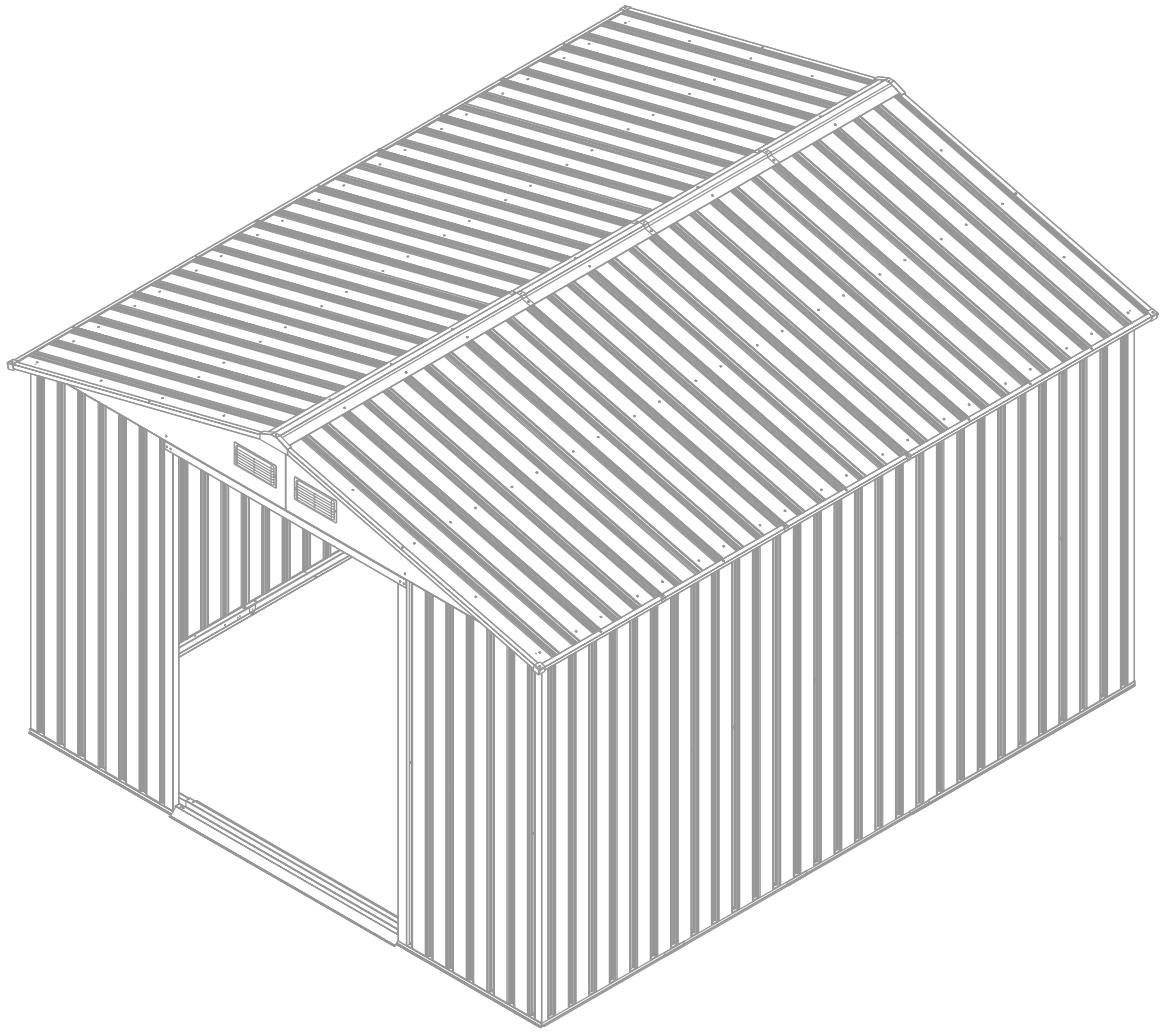
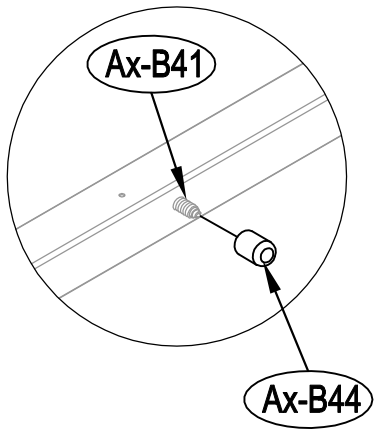
42



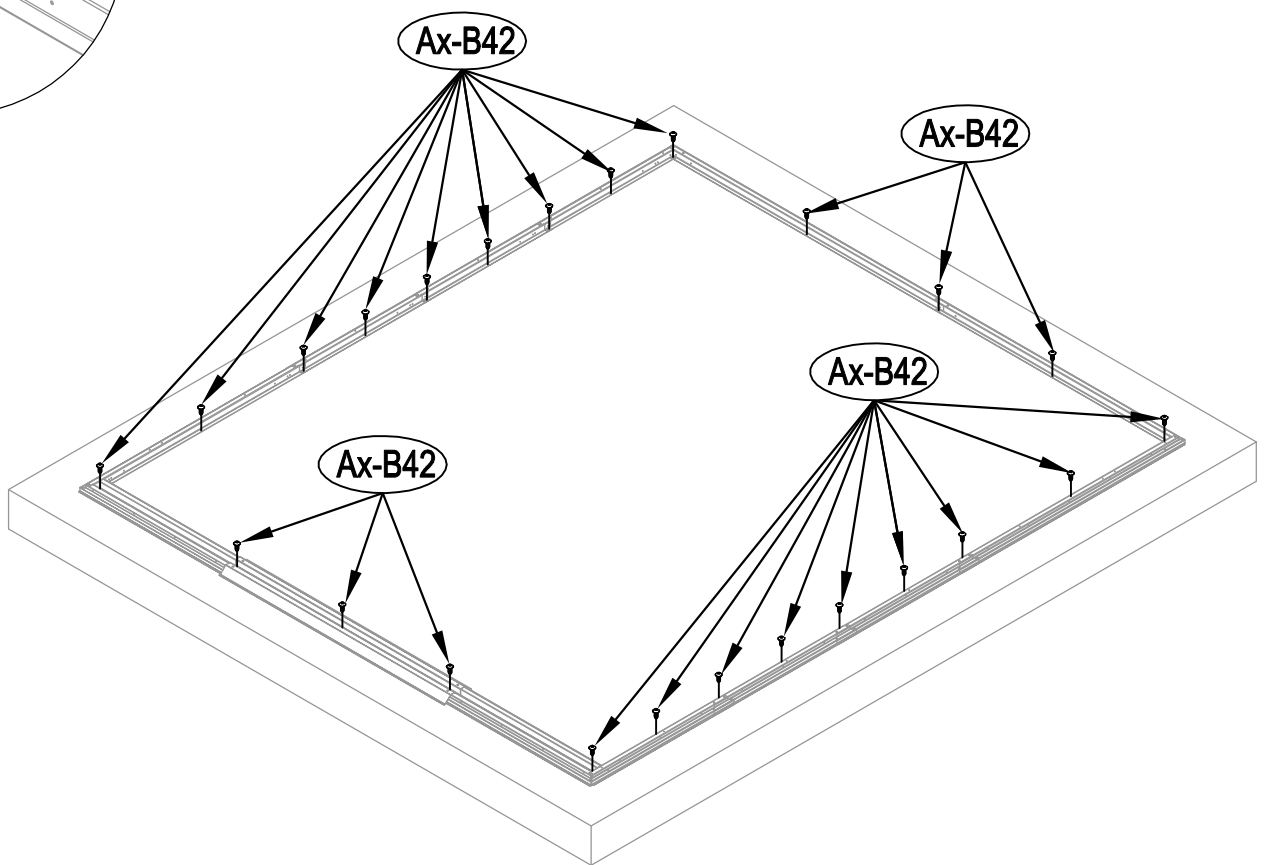
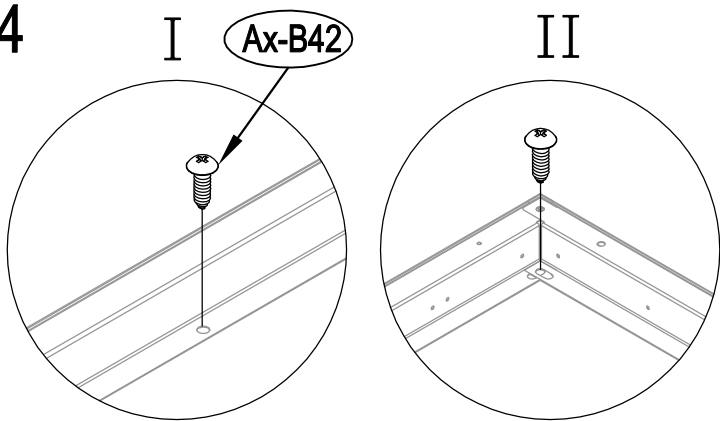
Archer C:		
Archer D:	TP5A (4)	
Archer E:		



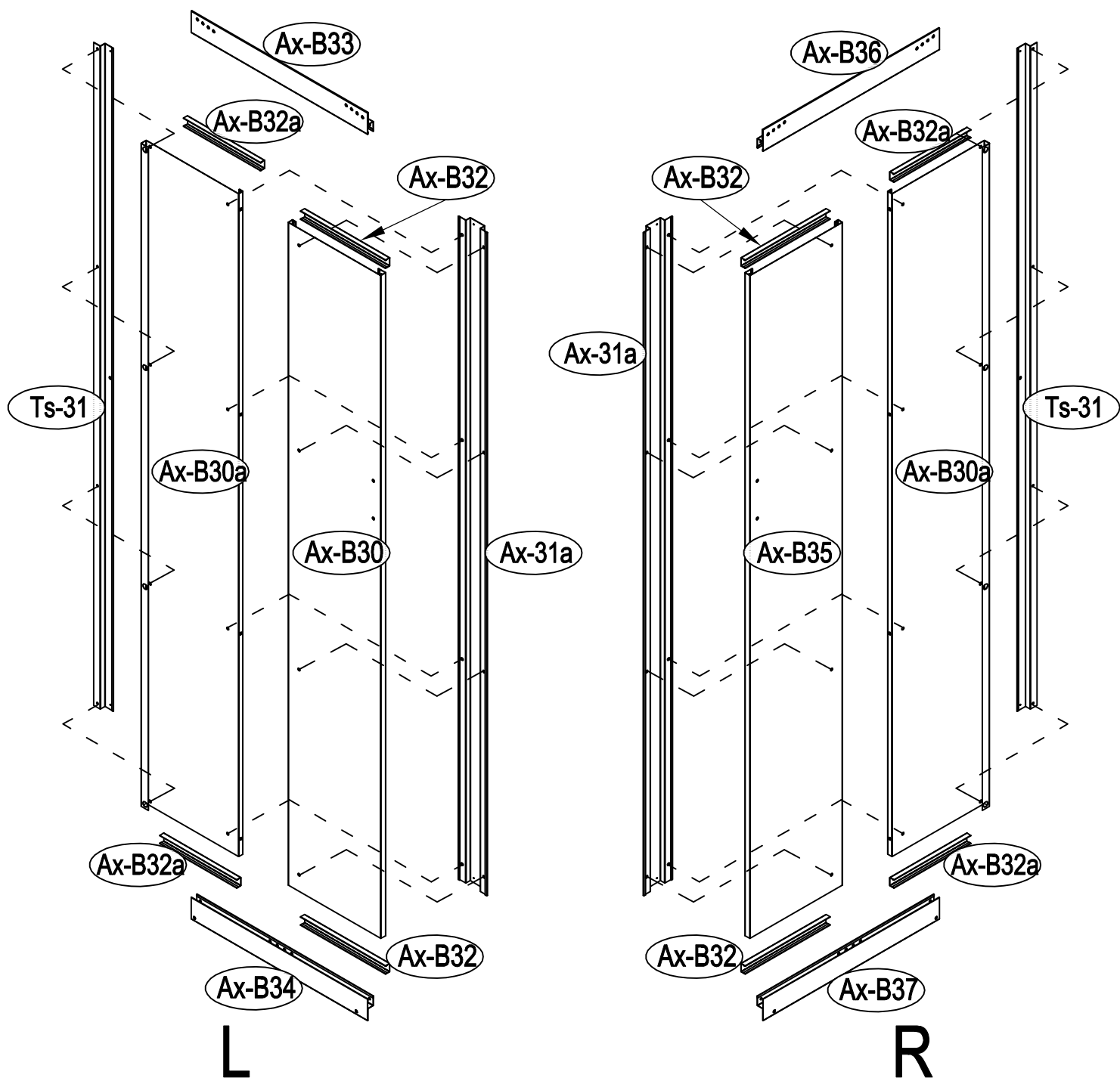
43

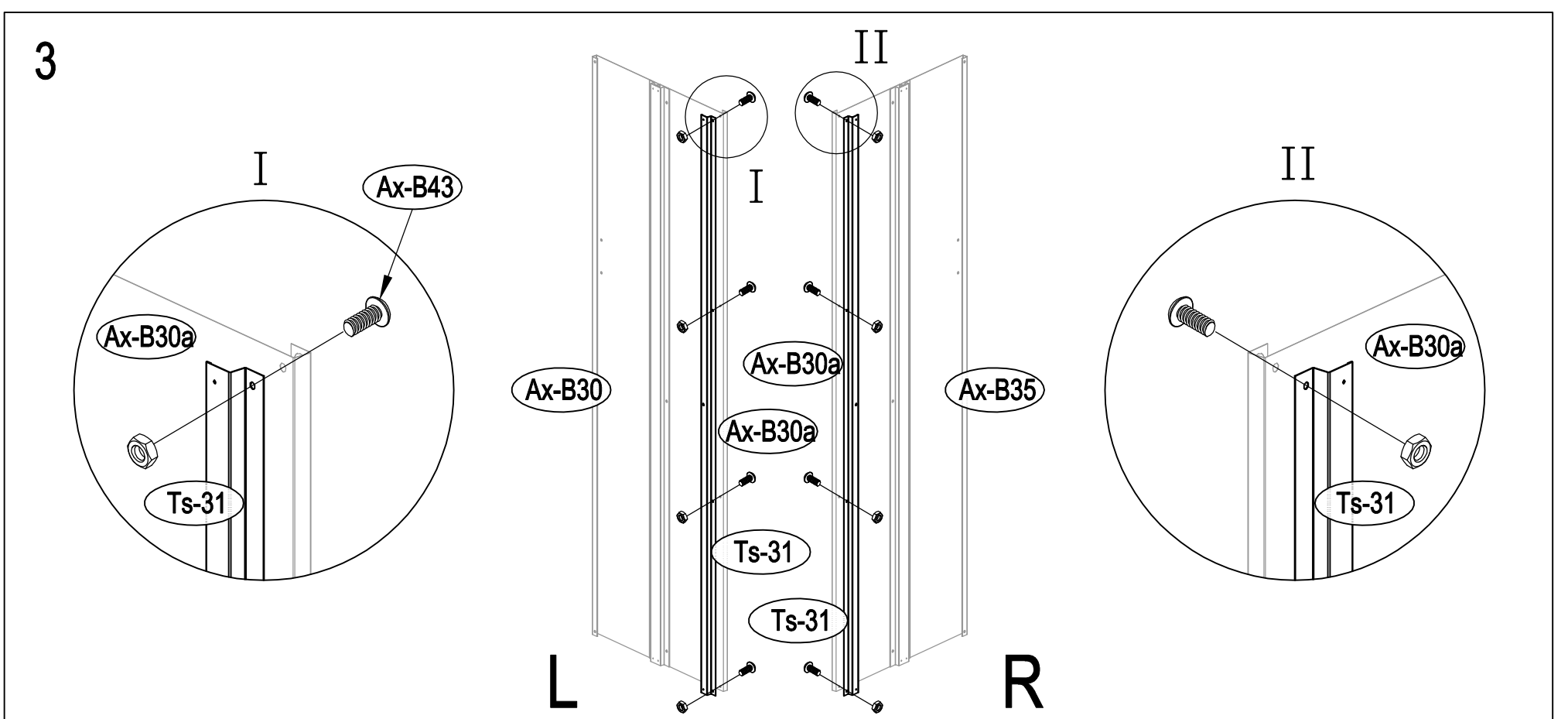
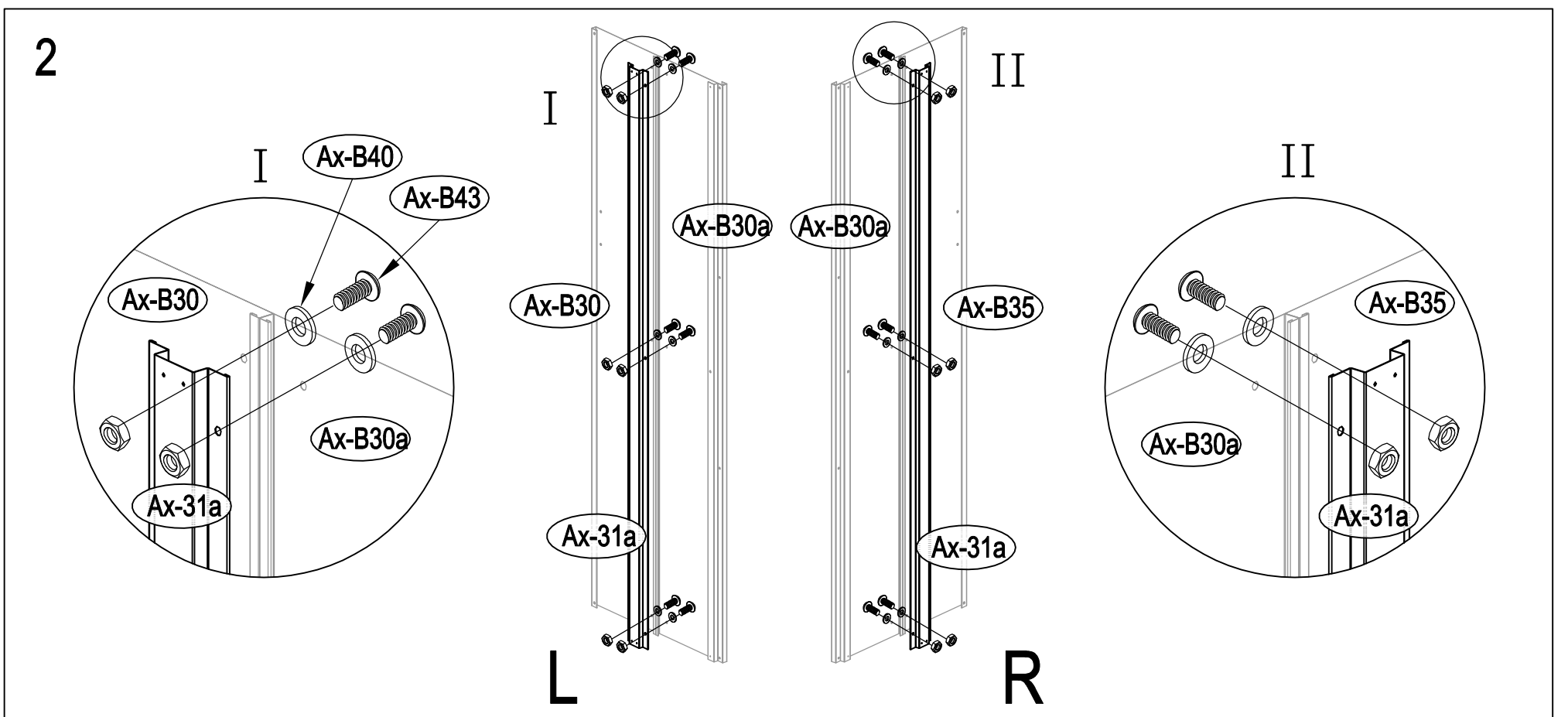
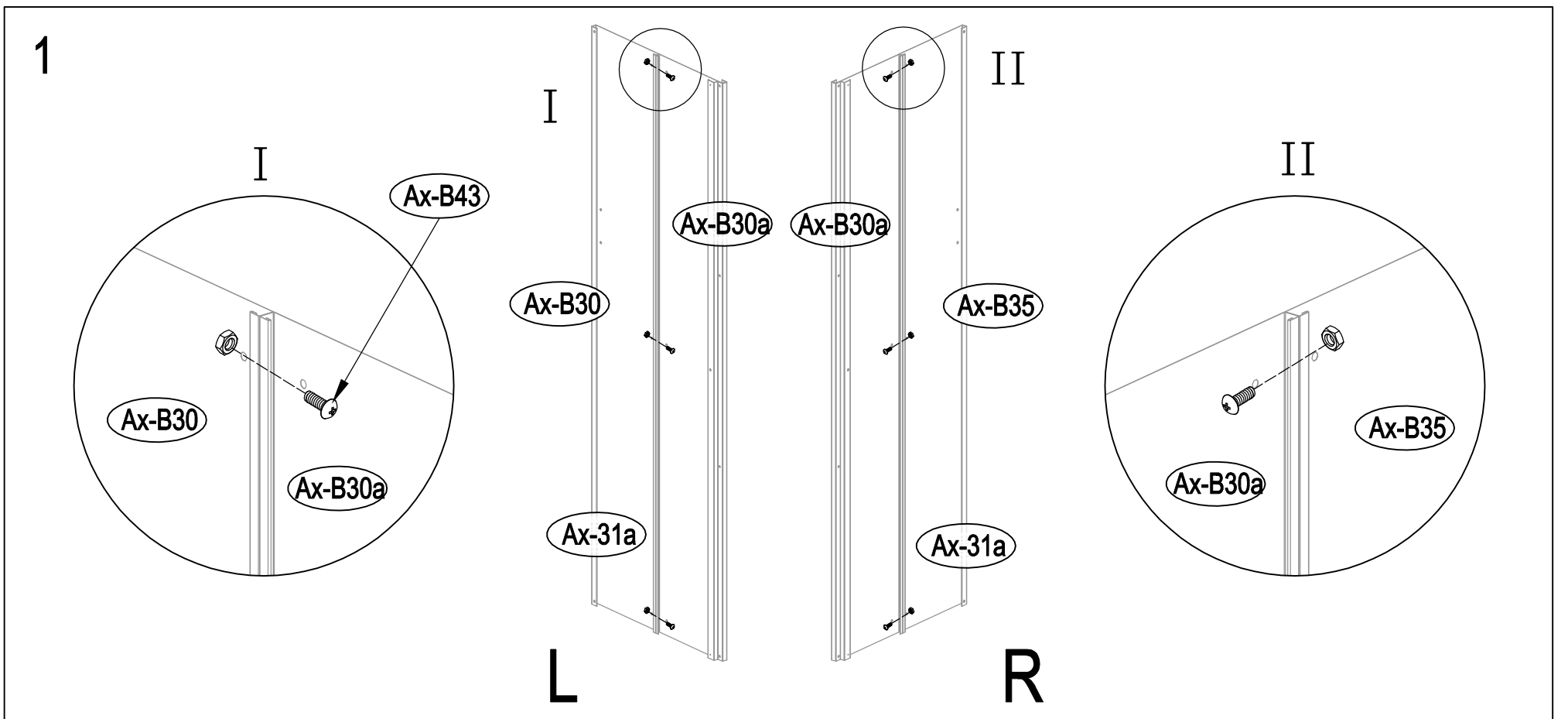


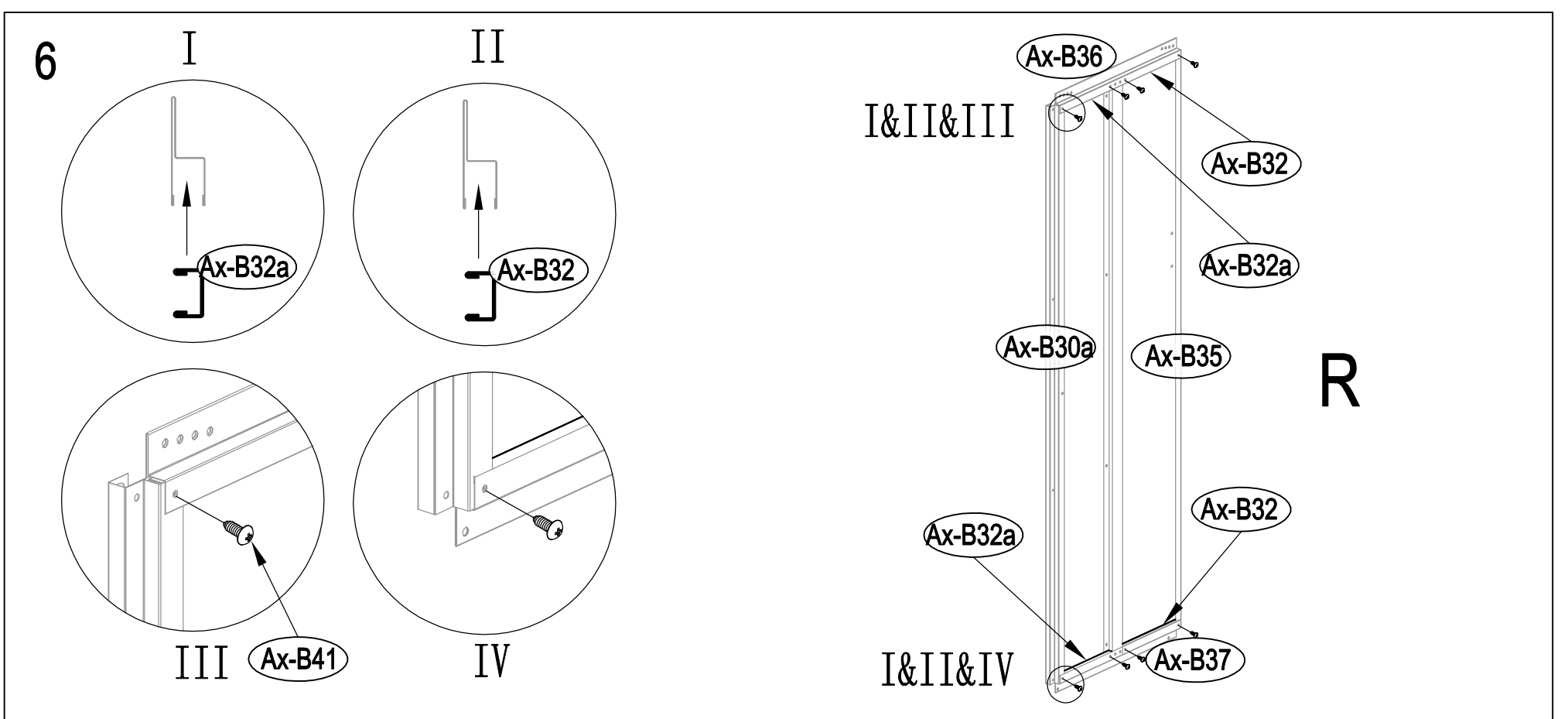
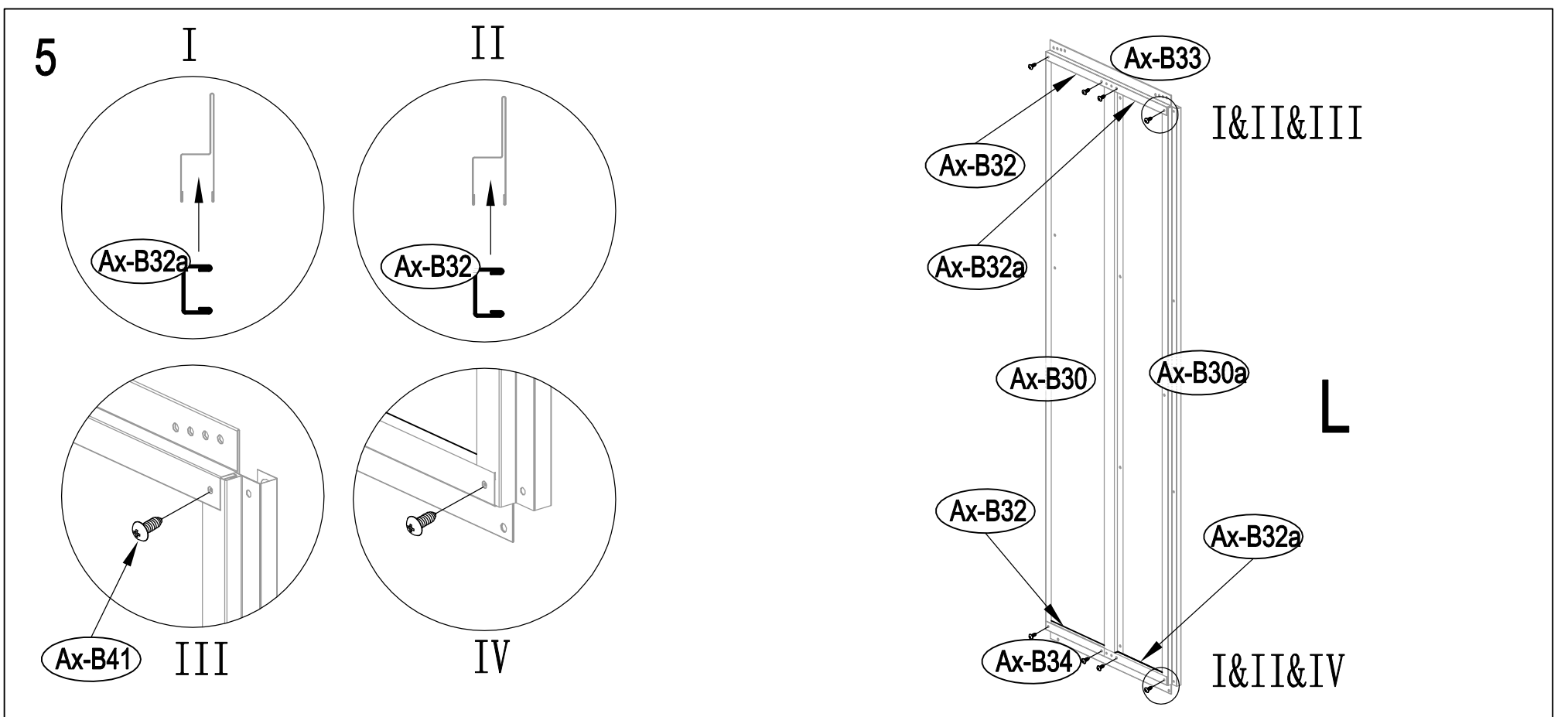
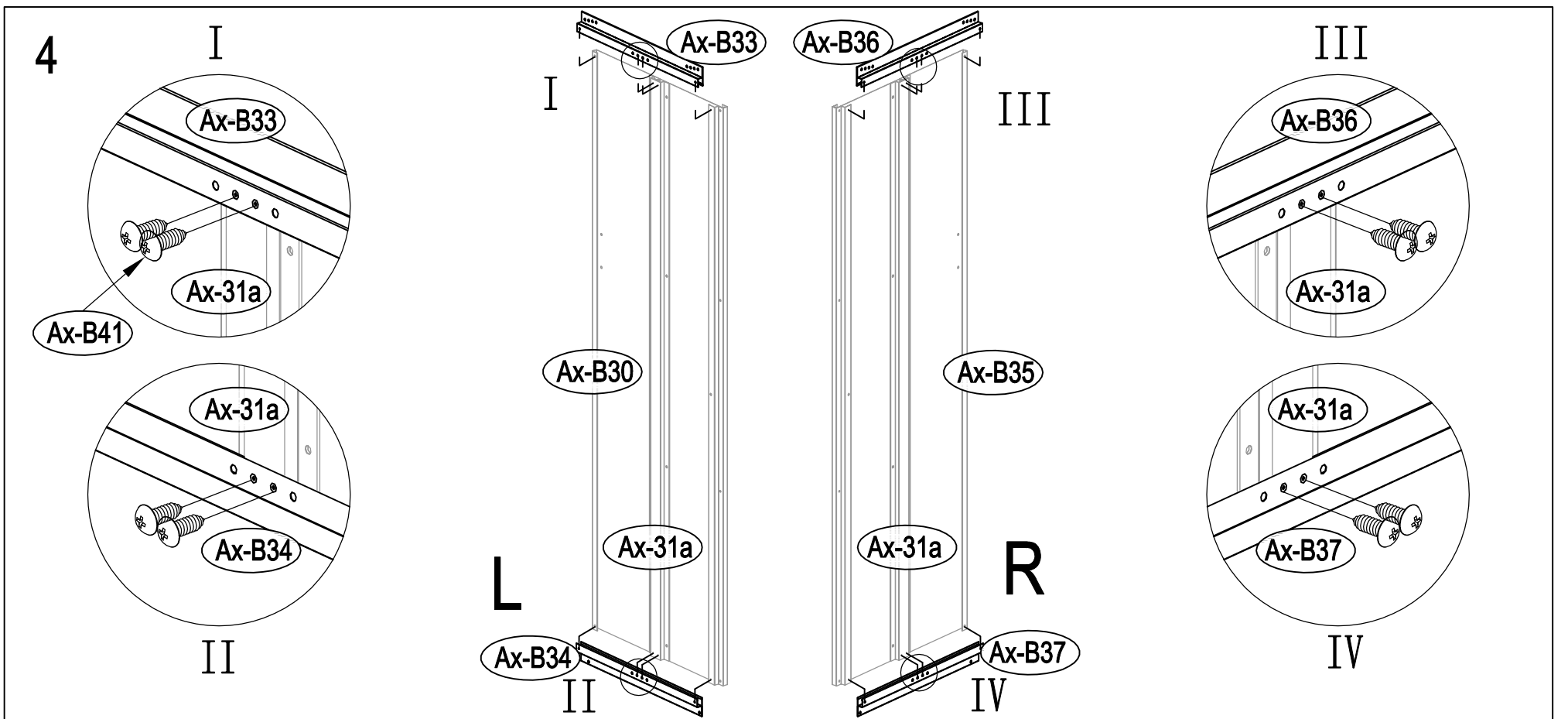
44

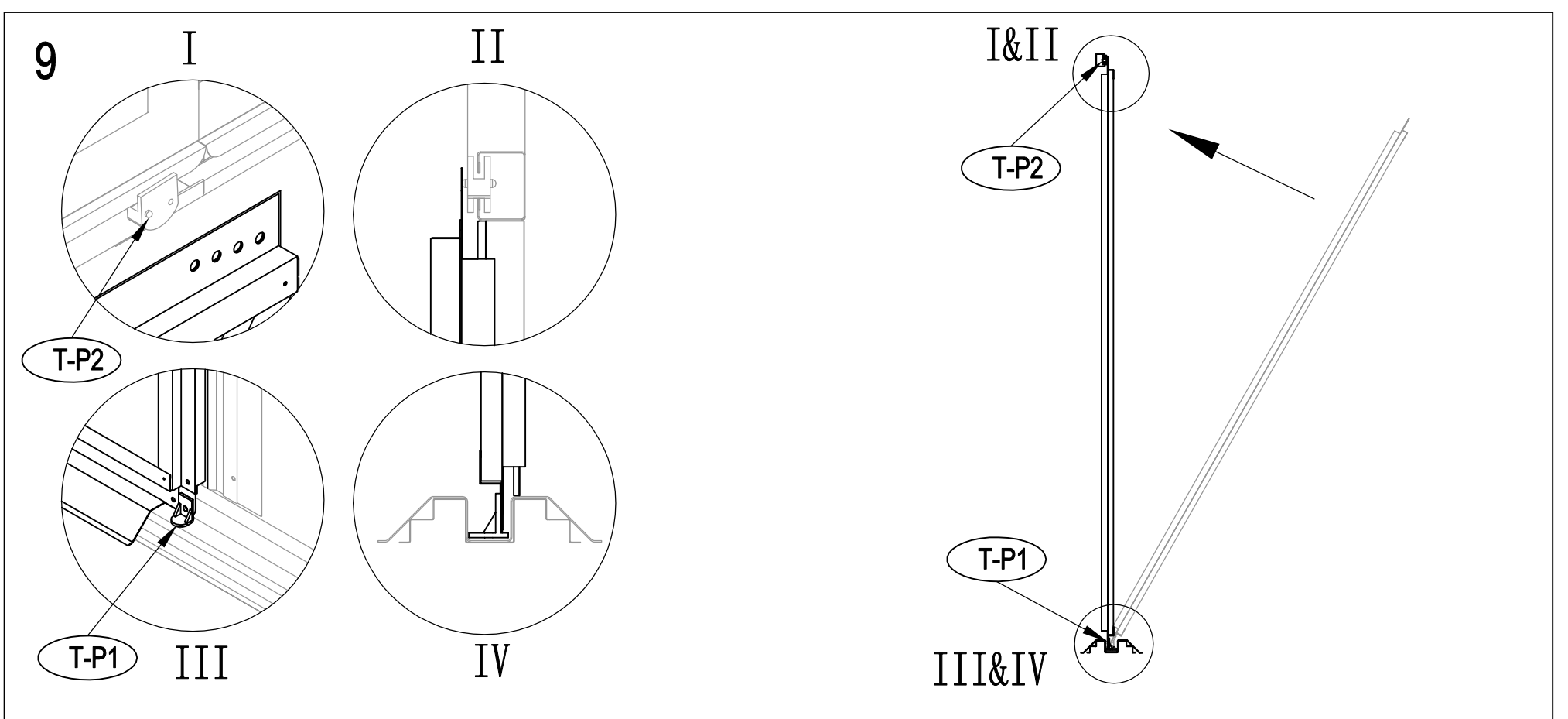
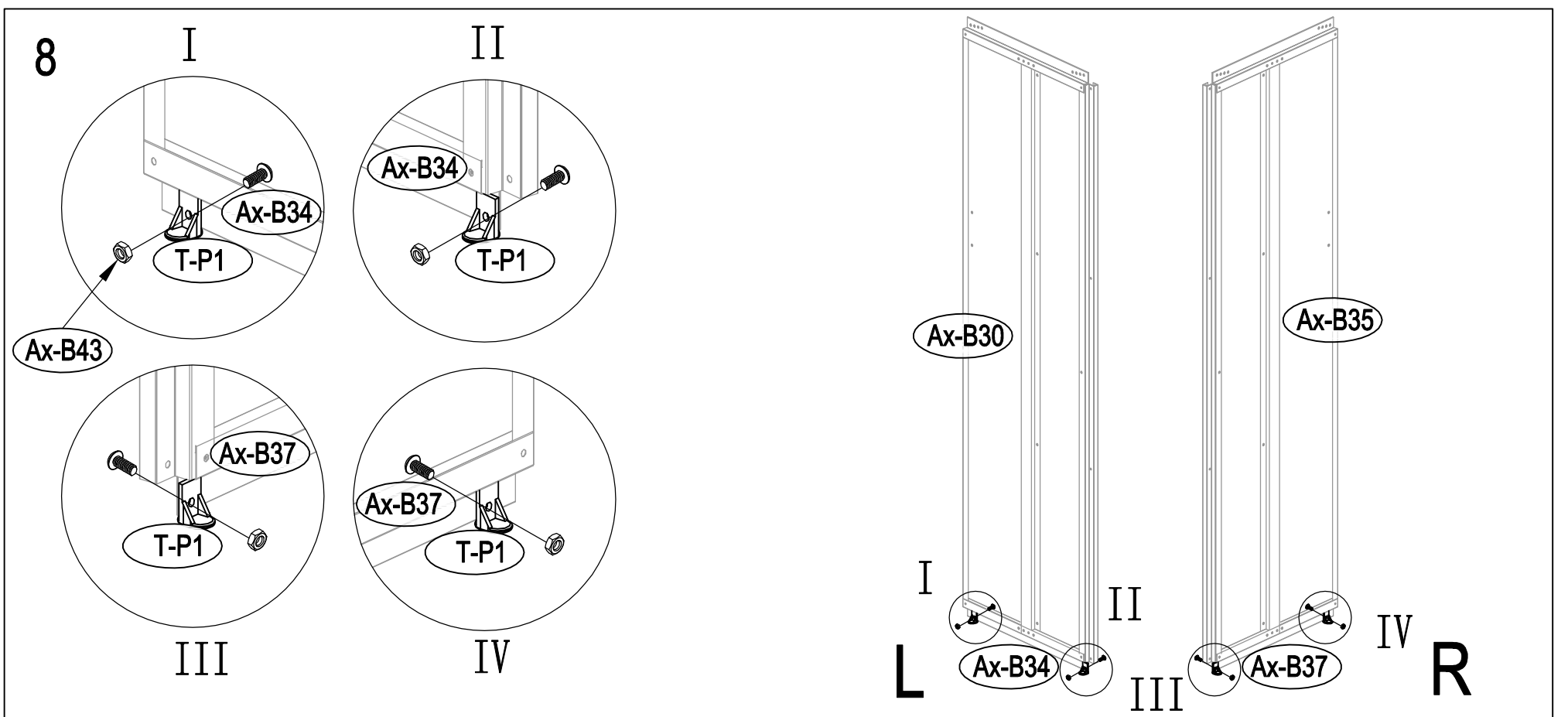
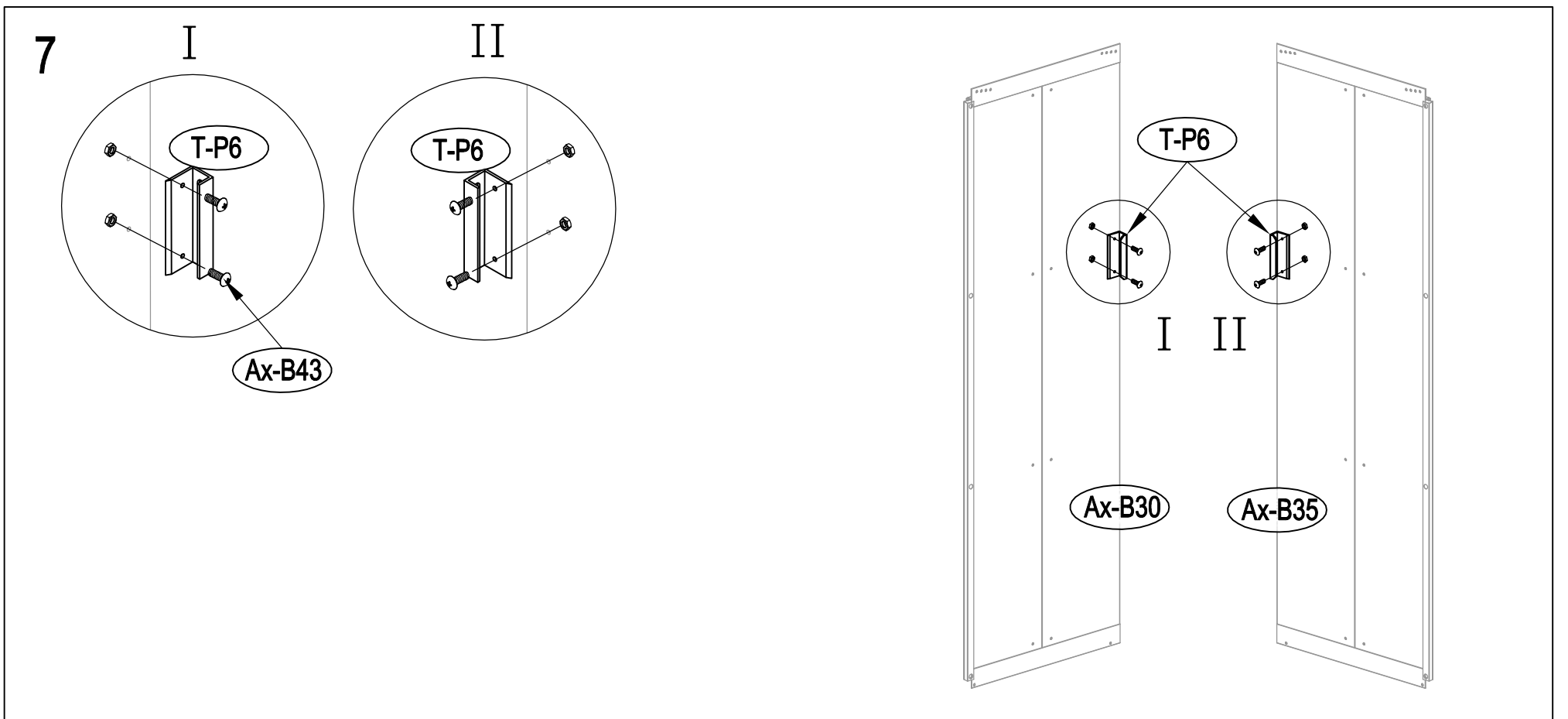






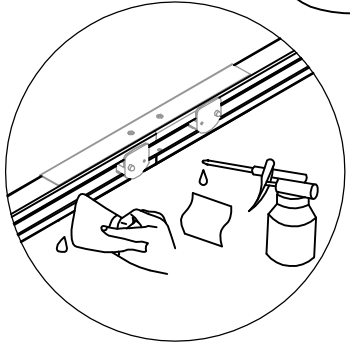




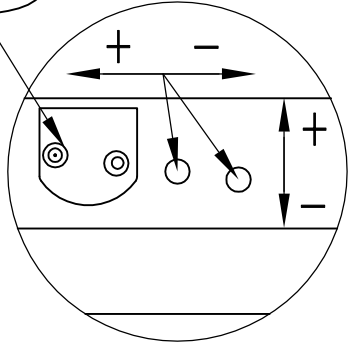


10

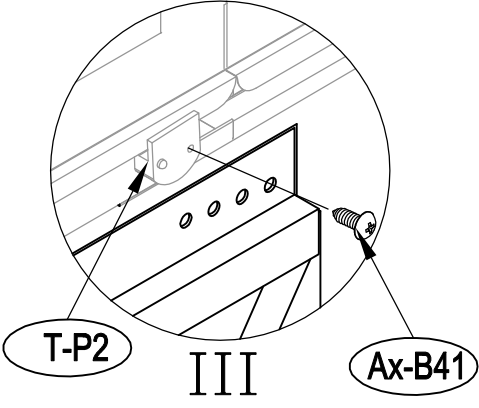
I



II



III



I&II&III

